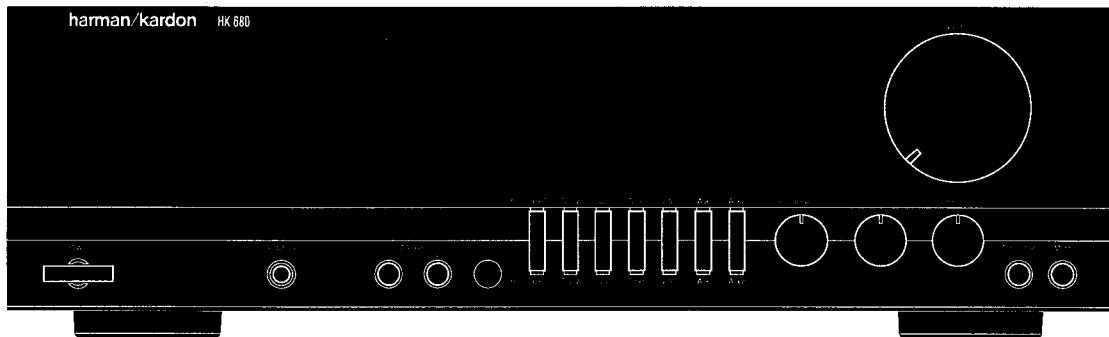


# The Harman Kardon Model HK680 INTEGRATED AMPLIFIER

Manual 199A

## Technical Manual



The following marks found in the parts list of this manual identify the models as follows.

- B** : International model Black version
- I** : International model

### CONTENTS

SPECIFICATIONS .....	2	ELECTRICAL PARTS LIST .....	13
POWER CORD REPLACEMENT .....	2	SCHEMATIC DIAGRAMS .....	19
DISASSEMBLY PROCEDURES .....	3	WIRING DIAGRAM .....	22
CONTROLS AND FUNCTIONS .....	4	<b>PH600 PHONO P.C. BOARD OPTION</b>	
ALIGNMENT PROCEDURES .....	5	HOW TO INSTALL .....	23
BLOCK DIAGRAM .....	5	GENERAL UNIT AND PARTS LIST .....	23
GENERAL UNIT PARTS LIST .....	6	P. C. BOARDS .....	24
GENERAL UNIT EXPLODED VIEW .....	7	WIRING DIAGRAM .....	24
P. C. BOARDS .....	8	SCHEMATIC DIAGRAM .....	25
IC BLOCK DIAGRAM .....	11	ELECTRICAL PARTS LIST .....	26

**harman/kardon**

Parts and Service Office  
80 Crossways Park West, Woodbury, N.Y. 11797  
1112-HK680-A G9502 300 Printed in Japan

**SPECIFICATIONS**

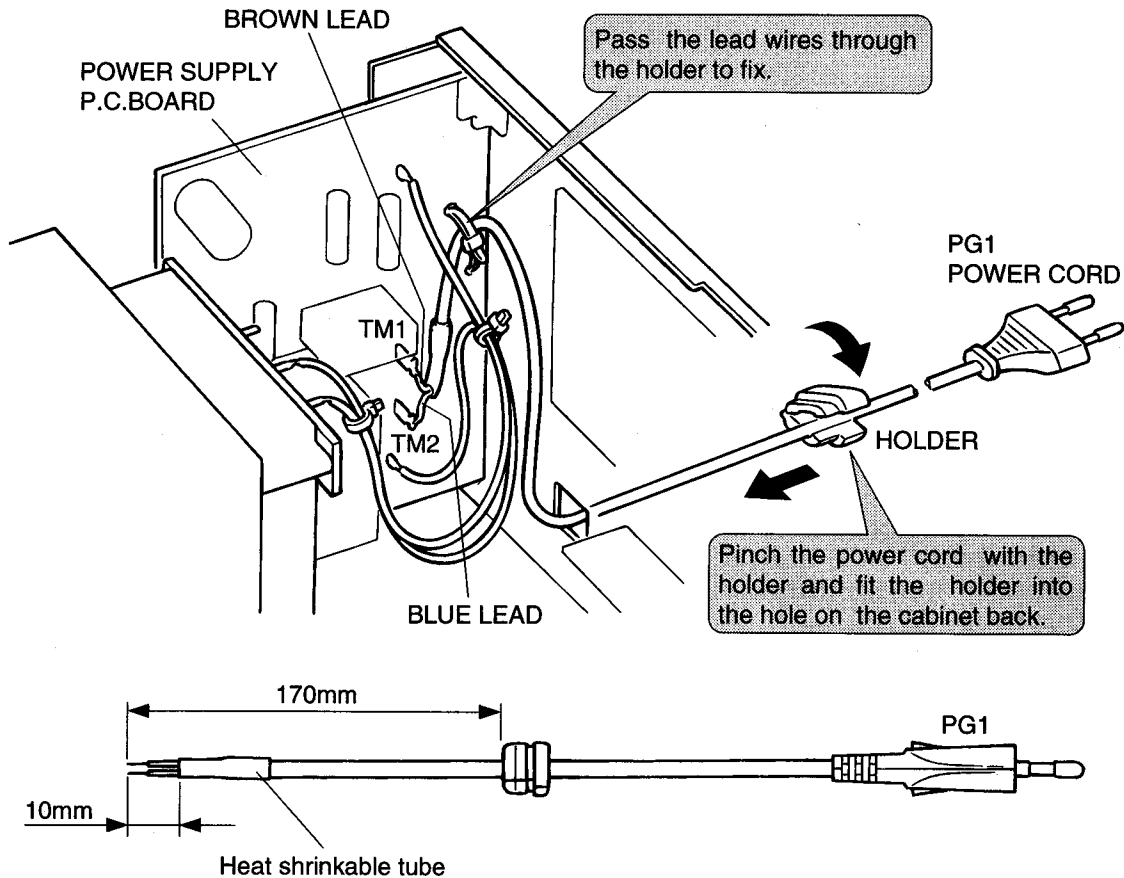
	Nominal	Limit
RMS Output Power		
8 Ω, 1kHz THD 0.1%	96.5W	≥ 85W
4 Ω, 1kHz THD 0.3%	147.9W	≥ 120W
High-instantaneous Current Capability (HCC)	76.0A	≥ 70A
Half Power Bandwidth (THD 0.1%)	<10Hz-98kHz	<10Hz-80kHz
Frequency Response (at -3dB down)	0.25Hz-248kHz	<1Hz-≥200kHz
Input Sensitivity (at 85W output)		
Tuner/CD:	140mV	>140mV±25mV/20kΩ±3kΩ
Option Phono (MM):	2.4mV/49kohm	
Option Phono (MC):	131μV/56Ω	
Signal to Noise Ratio		
Tuner/CD:	82.6dB	≥ 74dB
Option Phono (MM):	79dB	
Option Phono (MC):	75dB	
Channel Separation (at 10kHz)		
	69.8dB	≥ 50dB
Option Phono (MM):	65dB	
Option Phono (MC):	65dB	
IM Distortion Ratio (at 1W)	0.042%	≤ 0.1%
Damping Factor (at 1kHz)	64.2	≥ 60
Phono-Overload		
Option Phono (MM):	109mV	
Option Phono (MC):	5.6mV	

	Nominal	Limit
Tone Control Characteristics		
Bass (at 50Hz)		
Boost	10dB	± 2dB
Cut	10dB	± 2dB
Treble (at 10kHz)		
Boost	10dB	± 2dB
Cut	10dB	± 2dB
DC Output Voltage (at 8Ω)		
L channel	0mV	± 60mV
R channel	0mV	± 60mV
Idling Current (at 8Ω)	50.0mA	50mA±5mA
Dimensions (W x H x D)	17.4" x 5.3" x 16.0"	(443 x 134 x 406 mm)
Weight	27.3lbs.	/ 12.4kg
Power Supply	AC 230V,	50/60Hz
Power Consumption	300W	

These specifications are service target specs. Specifications and components are subject to change without notice. Overall performance will be maintained or improved.

**POWER CORD REPLACEMENT**

In order to prevent fire or shock hazard when replacing the power cord, follow the procedure below to replace the parts with the standard supply parts.



**DISASSEMBLY PROCEDURES (REFER TO PAGES 7 AND 22)****1 CABINET TOP (131) REMOVAL**

Remove 8 screws (A) and then remove the Cabinet Top (131).

**2 FRONT PANEL ASS'Y (AA) REMOVAL**

1. Remove the Cabinet Top (131), referring to the previous step [1].
2. Pull out 3 Rotary Knobs (151).
3. Remove 5 screws (B) and then remove the Front Panel Ass'y (AA).

**3 MAIN AMP. P.C. BOARD (PCB-1) REMOVAL**

1. Remove the Front Panel Ass'y (AA), referring to the previous step [2].
2. Disconnect the 1 connector (CW703) from 1 connector (CN703) on the Input Selector P.C. Board (PCB-13).
3. Pull out the Rotary Knob (150) and 4 Push Buttons (146).
4. Disconnect the 1 connector (CW704) from 1 connector (CN704) on the Volume P.C. Board (PCB-11).
5. Remove 4 screws (C) and then remove the Metal Fitting (165).
6. Disconnect the 2 connectors (CW284 and CW705) from 2 connectors (CN284 and CN705) on the Main Amp. P.C. Board (PCB-1).
7. Remove 7 screws (D) and then remove the Main Amp. P.C. Board (PCB-1). If necessary unsolder the lead wire.

**4 INPUT SELECTOR P.C. BOARD (PCB-13) REMOVAL**

1. Remove the Cabinet Top (131), referring to the previous step [1].
2. Disconnect the 1 connector (CW703) from 1 connector (CN703) on the Input Selector P.C. Board (PCB-13).
3. Disconnect the 1 connector (CW281) from 1 connector (CN281) on the Power Supply P.C. Board (PCB-5).
4. Disconnect the 1 connector (CW704) from 1 connector (CN704) on the Volume P.C. Board (PCB-11).
5. Disconnect the 1 connector (CW705) from 1 connector (CN705) on the Main Amp. P.C. Board (PCB-1). Disconnect the 2 connectors (CW701 and CW702) from 2 connectors (CN701 and CN702) on the Control P.C. Board (PCB-12).
6. Remove 8 screws (E) and then remove Input Selector P.C. Board (PCB-13) with Power LED P.C. Board (PCB-15).

**5 VOLUME P.C. BOARD (PCB-11) REMOVAL**

1. Remove the Front Panel Ass'y (AA), referring to the previous step [2].
2. Disconnect the connector (CW703) from connector (CN703) on the Input Selector P.C. Board (PCB-13).
3. Pull out the Rotary Knob (150).
4. Disconnect the 1 connector (CW704) from 1 connector (CN704) on the Volume P.C. Board (PCB-11).
5. Remove hexagon nut (F) and then remove the Volume P.C. Board (PCB-11).

**6 TONE CONTROL P.C. BOARD (PCB-9) REMOVAL**

1. Remove the Volume P.C. Board (PCB-11), referring to the previous step [5].
2. Disconnect the 1 connector (CW282) from 1 connector (CN282) on the Tone Control P.C. Board (PCB-9).
3. Disconnect the 1 connector (CW284) from 1 connector (CN284) on the Main Amp. P.C. Board (PCB-1).
4. Disconnect the 1 connector (CW203) from 1 connector (CN283) on the Control P.C. Board (PCB-12).
5. Pull out 2 Push Buttons (146).
6. Remove hexagon nuts (G), 3 screws (H) and then remove Tone Control P.C. Board (PCB-9) and Mono/Stereo Switch P.C. Board (PCB-10).

**7 POWER SUPPLY P.C. BOARD (PCB-5) REMOVAL**

1. Remove the Cabinet Top (131), referring to the previous step [1].
2. Disconnect 2 connectors (CW3 and CW281) from 2 connectors (CN3 and CN281) on the Power Supply P.C. Board (PCB-5).
3. Remove 2 screws (I) and then remove Power Supply P.C. Board (PCB-5).

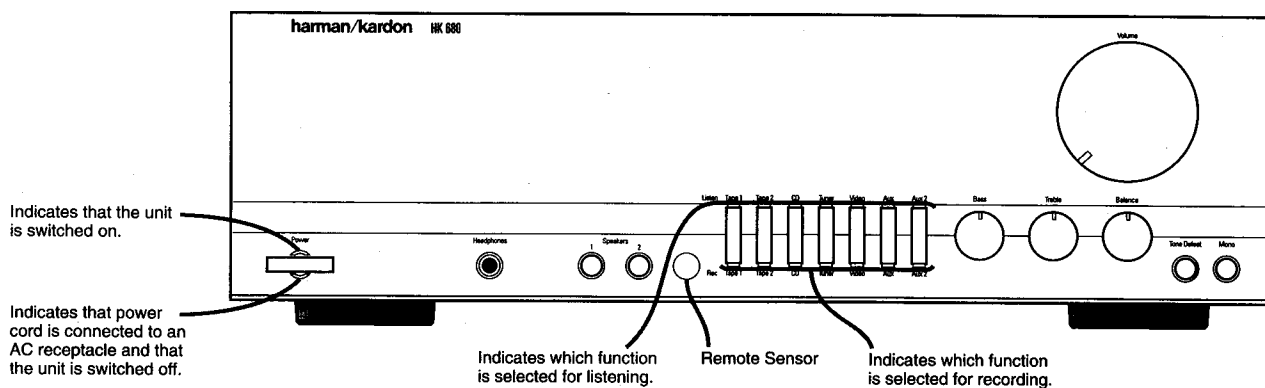
**8 CONTROL P.C. BOARD (PCB-12) REMOVAL**

1. Remove the Main Amp. P.C. Board (PCB-1), referring to the previous step [3].
2. Remove 7 screws (J) and then Control P.C. Board (PCB-12).

**9 OPTION PHONO P.C. BOARD (PCB-101) REMOVAL**

1. Remove the Cabinet Top (131), referring to the previous step [1].
2. Disconnect the 1 connector (CW602) from 1 connector (CN102) on the Main P.C. Board (PCB-1). Disconnect the 1 connector (W601) from 1 connector (CN101) on the Control P.C. Board (PCB-12).
3. Remove 1 screw (K) and Rivet and then remove the Phono P.C. Board (PCB-101).

## CONTROLS AND FUNCTIONS



### Power Switch

Press to turn the unit on and off.

### Headphone Jack

Plug in headphones if desired. (With both Speakers 1 and 2 switches in Off position, output is supplied only to headphones.)

### Speakers Switches

Push in to select either of two sets of speakers, or both, or neither (headphone output only).

### Listen Selector Buttons

Select desired input source by pressing the corresponding button.

### Record Selector Buttons

Select desired output source for recording by pressing the corresponding button.

### Bass Control

Turn to increase or decrease the proportion of low frequency sound.

### Treble Control

Turn to increase or decrease the proportion of high frequency sound.

### Balance Control

Turn to adjust relative output level of left and right speakers.

### Volume Control

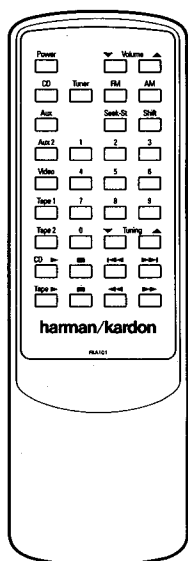
Turn to raise or lower output volume.

### Tone Defeat Switch

Press to bypass the bass and treble control circuitry. (The bass and treble controls have no effect.)

### Mono Switch

Press to hear input from any source in mono.



### Independent Remote Control

The keys on the remote control unit function the same as the corresponding buttons on the amplifier itself.

The remote control unit also includes many keys that allow for easy control of other Harman Kardon cassette tape deck, CD player and tuner.

Please refer to the owner's manual for each unit for operating instructions. Some of these units must be connected to the amplifier's remote control output jacks so that the system remote control can operate them.

### Operating Conditions

The control unit operates effectively within a distance of 7 meters and an angle of 30° from the amplifier. Using the control near fluorescent lights may shorten this range, as will any dust or dirt that accumulates on the front of the remote sensor, or the remote sensor area of the amplifier. Also avoid blocking the line of sight between amplifier and remote.

The control unit is powered by two AA batteries, included with your amplifier. When you replace weak batteries, replace both at the same time. When the remote is to be unused for an extended period, remove the batteries to prevent damage from corrosion.

**ALIGNMENT PROCEDURES (REFER TO PAGES 8 AND 19)**

- **Conditions** :
- Set the Function selector to the "CD" position.
  - Set the Volume control to minimum.
  - Make the adjustment at a room temperature of 77°F (25°C)

■ **DC BALANCE ADJUSTMENT**

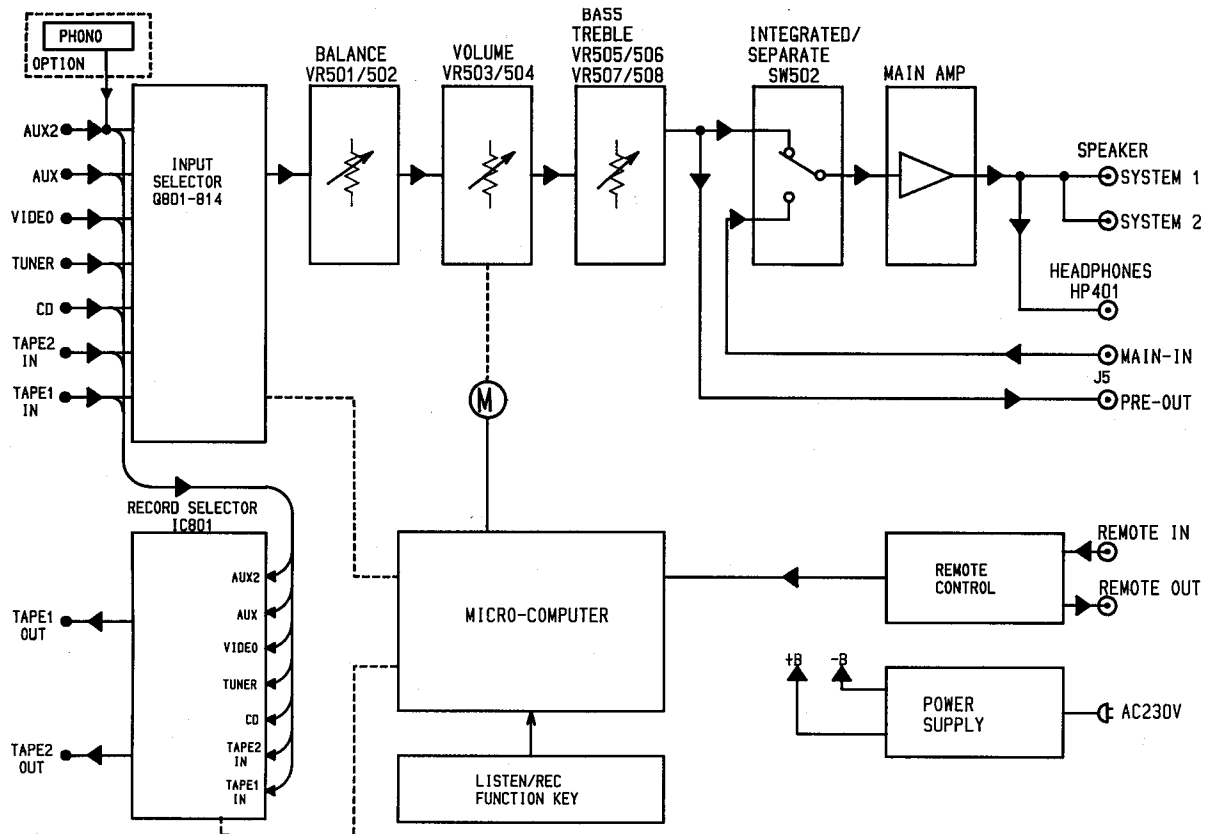
Step	Connection Equipments	Adjustment	For
1	Connect the Digital Volt Meter to Speaker output(L ch).	VR481	0±10mV
2	Connect the Digital Volt Meter to Speaker output(R ch).	VR482	0±10mV

■ **IDLING CURRENT ADJUSTMENT**

Step	Connection Equipments	Adjustment	For
1	Connect the Digital Volt Meter to TM403 and TM405.	VR401	22 mV
2	Connect the Digital Volt Meter to TM404 and TM406.	VR402	22 mV

■ After the above adjustment, leave the unit with its power on for longer than 15 minutes and then repeat the same adjustment.

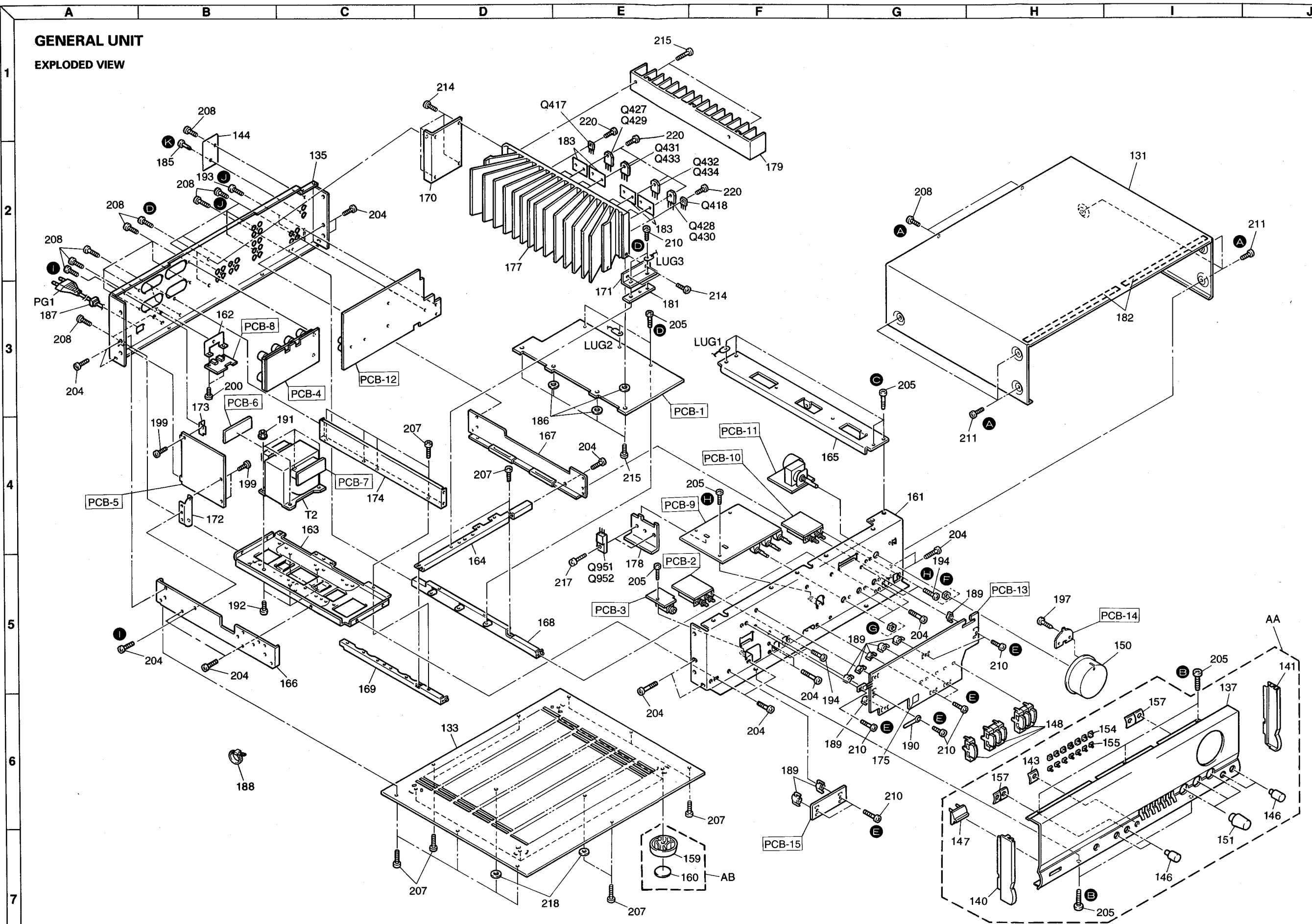
**BLOCK DIAGRAM**



**GENERAL UNIT PARTS LIST**

<u>Ref. No.</u>	<u>Part No.</u>	<u>Description</u>	<u>Ref. No.</u>	<u>Part No.</u>	<u>Description</u>
AA	A443-HK6880A	FRONT PANEL ASS'Y <b>(IB)</b>	167	2219-8011	METAL FITTG, R SIDE
AA	A443-HK6880B	FRONT PANEL ASS'Y <b>(I)</b>	168	2219-8012	METAL FITTG, R CENTER
AB	A319-HK6880A	LEG ASS'Y	169	2219-8013	METAL FITTG, TRANS CENTER
131	1414-17801	CABINET TOP	170	2219-8366	METAL FITTG, MAIN HEAT SINK, REAR SIDE
133	1423-03101	CABINET BACK, BOTTOM	171	2219-8367	METAL FITTG, MAIN HEAT SINK, FRONT SIDE
135	1424-38801	CABINET BACK, REAR	172	2219-8349	METAL FITTG, POWER IN SIDE
137	1443-15201	PANEL, FRONT <b>(IB)</b>	173	2219-8390	METAL FITTG, POWER IN PCB
137	1443-15202	PANEL, FRONT <b>(I)</b>	174	2219-8393	METAL FITTG, RE IN FORCE
140	1562-09602	FRAME, L <b>(IB)</b>	175	2114-131143	BUSHING, RCV701
140	1562-09601	FRAME, L <b>(I)</b>	177	2222-7346	HEAT SINK, Q417, 418, Q427-434
141	1562-09702	FRAME, R <b>(IB)</b>	178	2222-7179	HEAT SINK, Q951, 952
141	1562-09701	FRAME, R <b>(I)</b>	179	2222-7347	HEAT SINK, MAIN TOP SIDE
143	1532-22801	WINDOW, REMOTE SENSOR	181	2224-7090	INSULATOR, HEAT SINK
144	1511-23601	PLATE, PHONO	182	2224-146	INSULATOR, TOP COVER (x2)
146	1662-67202	PUSH BUTTON, SPEAKES 1/2, TONE DEFEAT, MONO <b>(IB)</b>	183	2224-7147	INSULATOR, POWER TR (x4)
146	1662-67201	PUSH BUTTON, SPEAKES 1/2, TONE DEFEAT, MONO <b>(I)</b>	185	2459-3003511	RIVET, PLASTIC, PHONO PLATE
147	1660-02302	PUSH BUTTON, POWER <b>(IB)</b>	186	2402-0374	WASHER, PLASTIC, HEAT SINK (x6)
147	1660-02301	PUSH BUTTON, POWER <b>(I)</b>	187	2114-71246	BUSHING, AC CORD
148	1662-71902	PUSH BUTTON, FUNCTION <b>(IB)</b>	188	2240-R0101	HOLDER, WIRING (x20)
148	1662-71901	PUSH BUTTON, FUNCTION <b>(I)</b>	189	2360-7026	BOSS, SPECIAL, FRONT (x9)
150	1630-05002	ROTARY KNOB, VOLUME <b>(IB)</b>	190	2218-R0130	BRACKET, FIX, WIRING
150	1630-05001	ROTARY KNOB, VOLUME <b>(I)</b>	191	2440-60	NUT, SPE (x4)
151	1632-20702	ROTARY KNOB, BASS, TREBLE, BALANCE <b>(IB)</b>	192	2327-R0140102	SCREW, BND+ (4x10 mm)(x4)
151	1632-20701	ROTARY KNOB, BASS, TREBLE, BALANCE <b>(I)</b>	193	2327-R0126044	SCREW, BND+ (2.6x4 mm)(x2)
154	1732-09801	INDICATOR, FUNCTION (LISTEN) (x7)	194	2327-R0130062	SCREW, BND+ (3x6 mm)(x4)
155	1732-09901	INDICATOR, FUNCTION (REC) (x7)	197	2347-R0126082	SCREW, BND T+ (2.6x8 mm)
157	1742-09402	ORNAMENT, SPEAKERS, TONE DEFEAT/ MONO (X2) <b>(IB)</b>	199	2347-R0130062	SCREW, BND T+ (3x6 mm)(x3)
157	1742-09401	ORNAMENT, SPEAKERS, TONE DEFEAT/ MONO (X2) <b>(I)</b>	200	2347-R0130062	SCREW, BND T+ (3x6 mm)(x2)
159	1319-04303	LEG (x4)	204	2347-R0130062	SCREW, BND T+ (3x6 mm)(x17)
160	1319-04601	LEG, SPONGE (x4)	205	2347-R0130062	SCREW, BND T+ (3x6 mm)(x14)
161	2211-7332	CHASSIS	207	2347-R0130082	SCREW, BND T+ (3x8 mm)(x17)
162	2219-8389	METAL FITTG, REMOTO IN/OUT	208	2347-R0130084	SCREW, BND T+ (3x8 mm)(x21)
163	2219-8007	METAL FITTG, POWER TRANS	210	2347-R0130102	SCREW, BND T+ (3x10 mm)(x10)
164	2219-8364	METAL FITTG, H CENTER	211	2347-R0140064	SCREW, BND T+ (4x6 mm)(x6)
165	2219-8009	METAL FITTG, R SIDE TOP	214	2347-R0130062	SCREW, BND T+ (3x6 mm)(x6)
166	2219-8010	METAL FITTG, TRANS SIDE	215	2347-R0130102	SCREW, BND T+ (3x10 mm)(x7)
			217	2347-R0130082	SCREW, BND T+ (3x8 mm)(x2)
			218	2401-0473	WASHER, METAL (x2)
			220	2557-F301426	SCREW, B SPW+ (3x14 mm)(x10)

GENERAL UNIT  
EXPLODED VIEW



# GENERAL UNIT

## EXPLODED VIEW

1

2

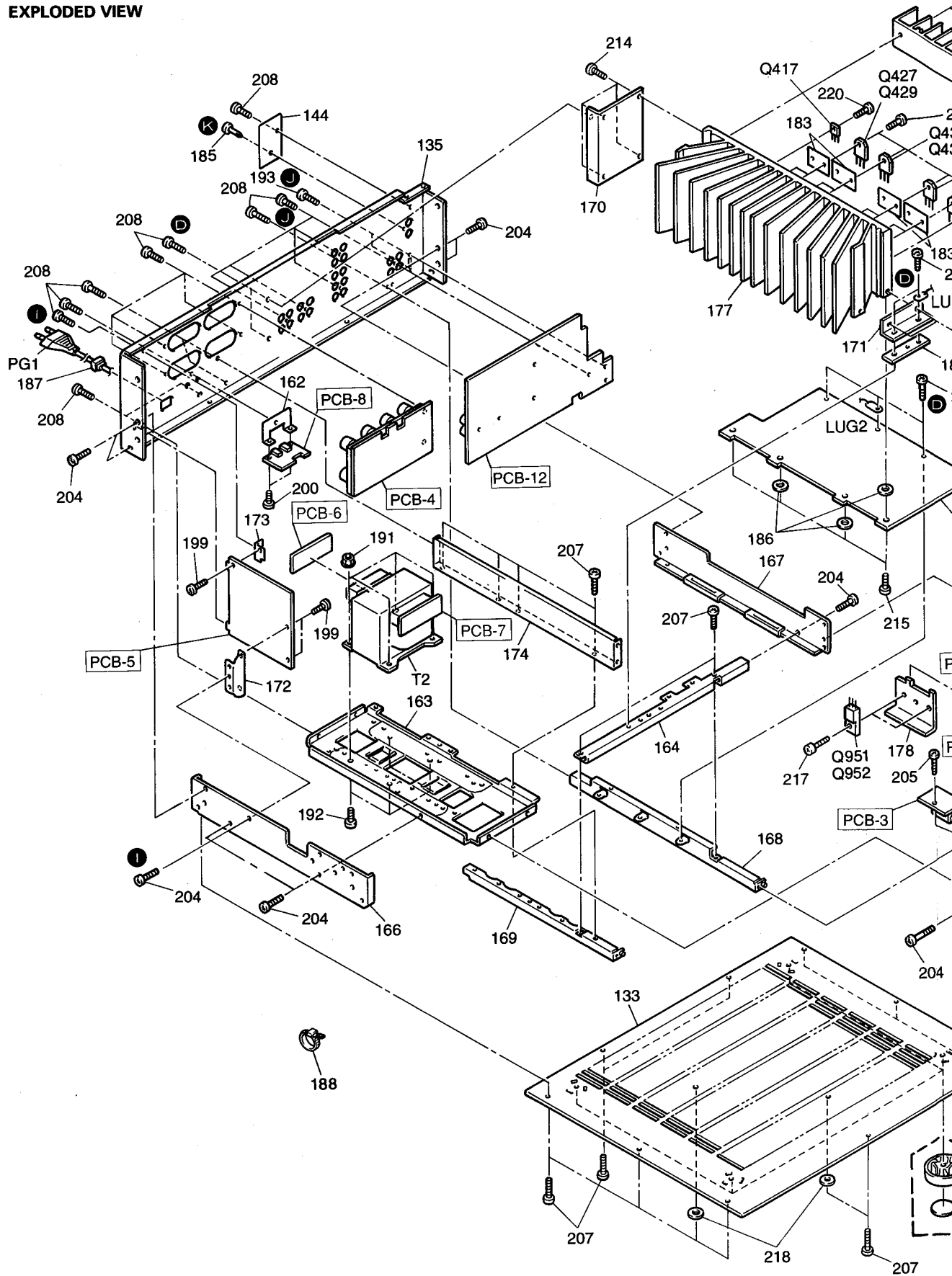
3

4

5

6

7

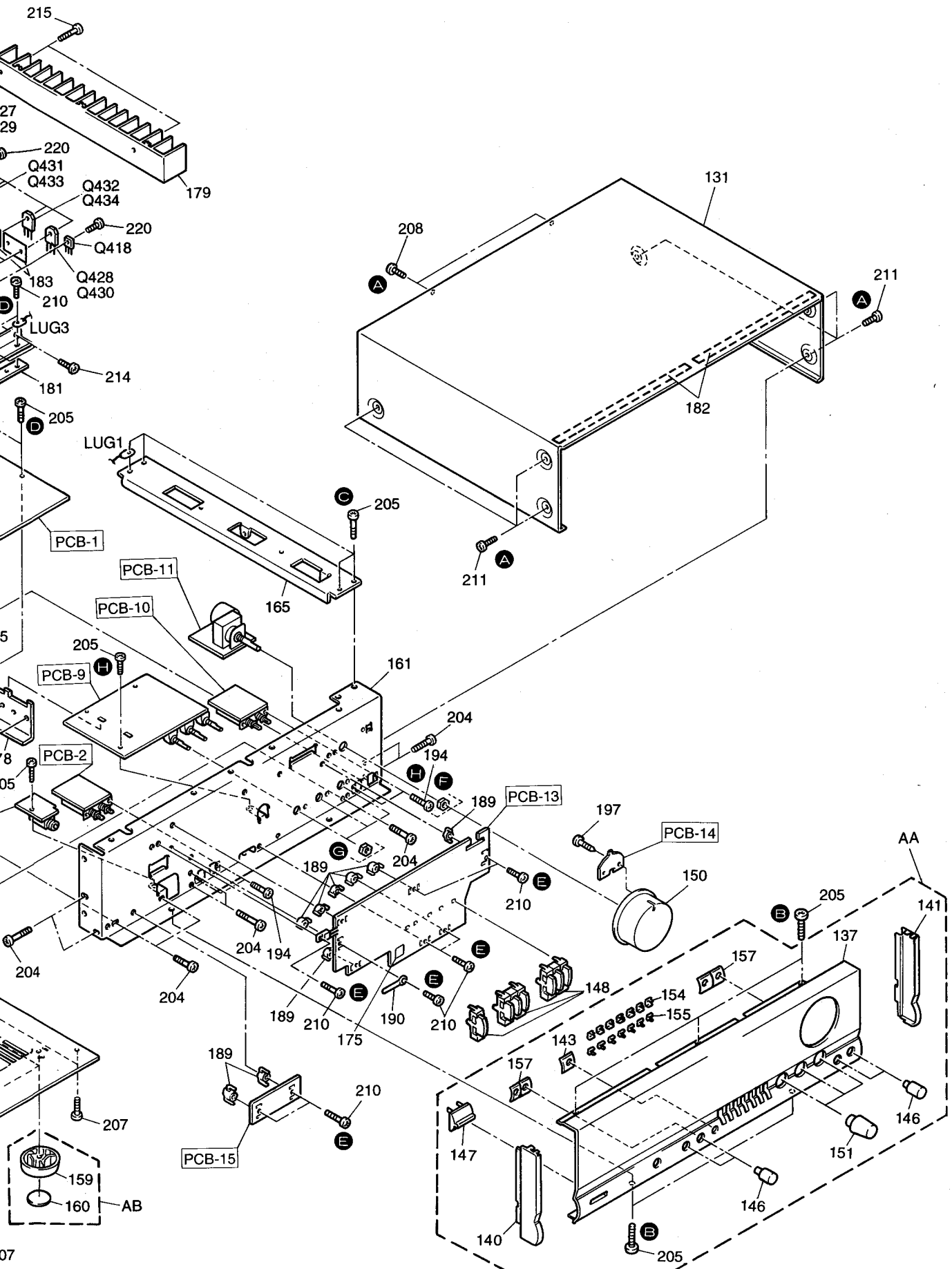


215

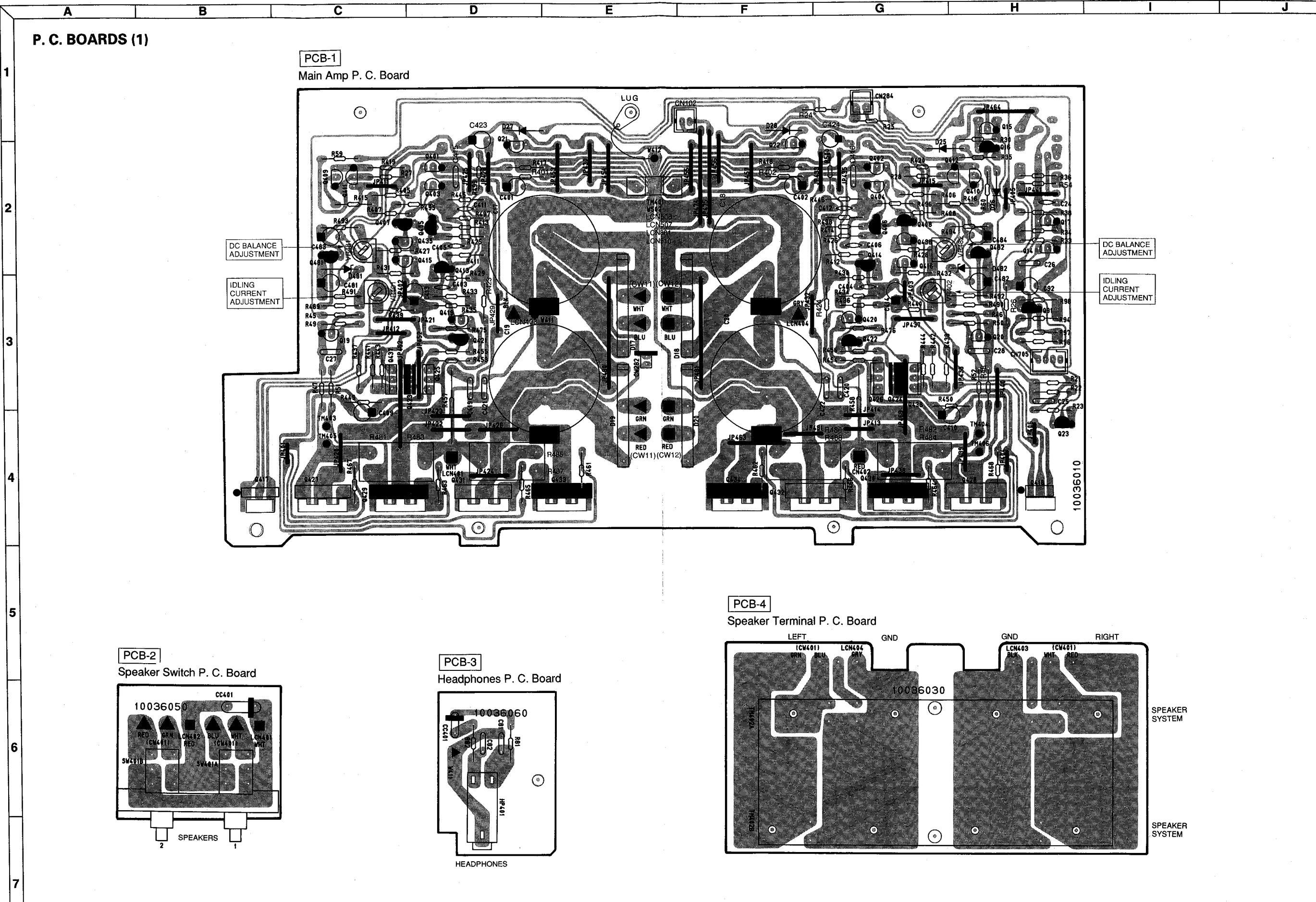
215



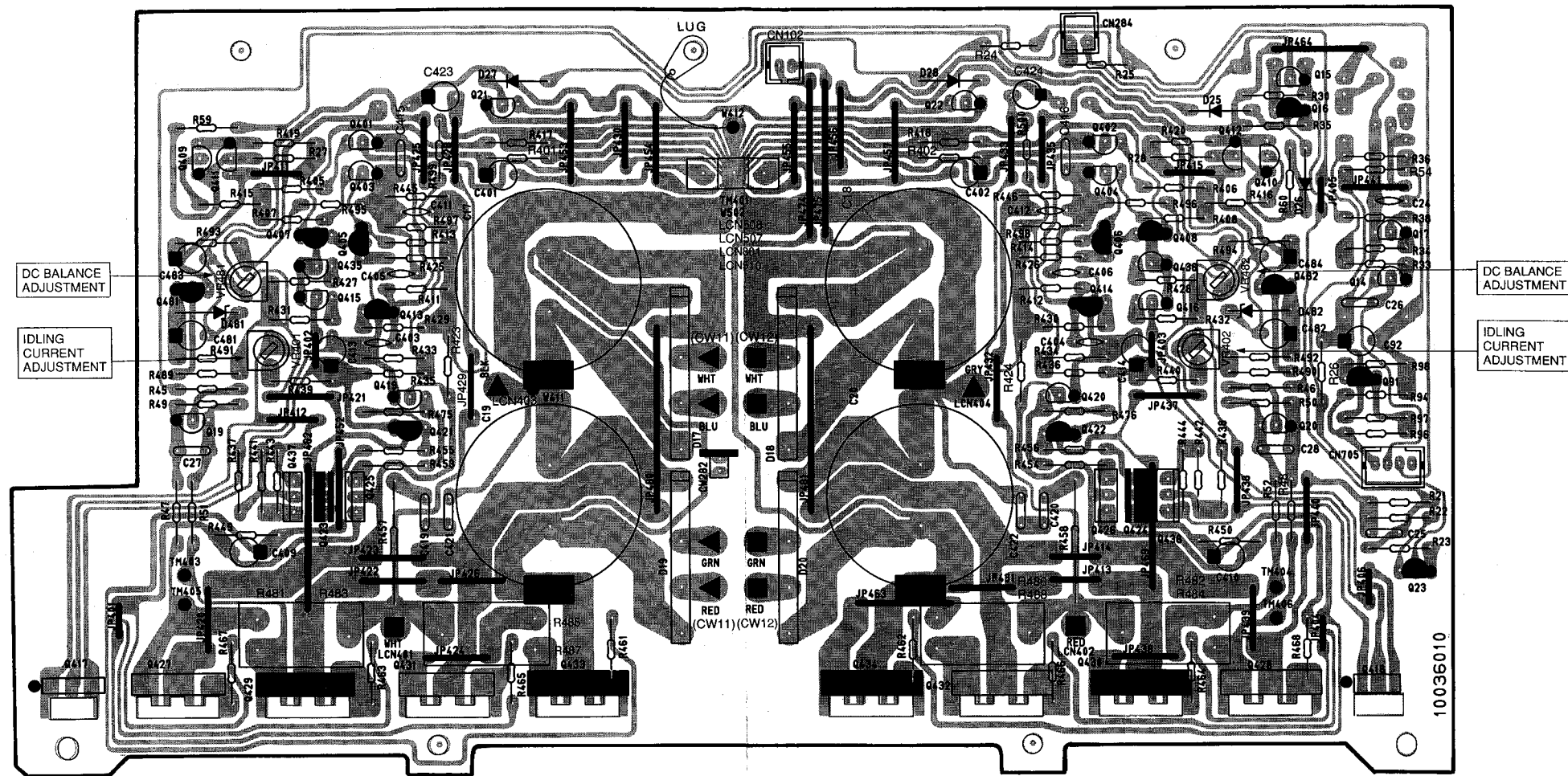
F G H I J



P. C. BOARDS (1)



PCB-1  
Main Amp P. C. Board



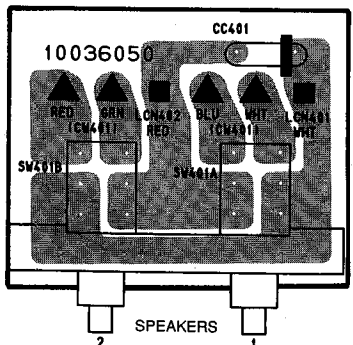
DC BALANCE  
ADJUSTMENT

DC BALANCE  
ADJUSTMENT

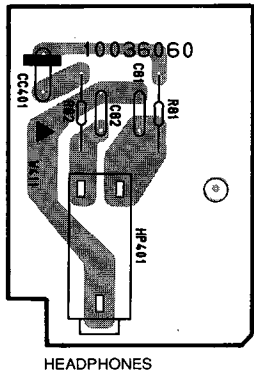
IDLING  
CURRENT  
ADJUSTMENT

IDLING  
CURRENT  
ADJUSTMENT

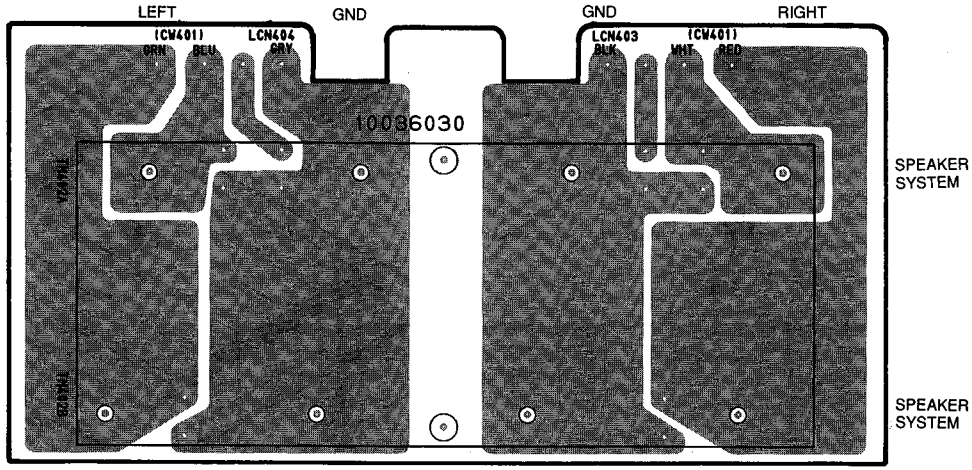
PCB-2  
Speaker Switch P. C. Board



PCB-3  
Headphones P. C. Board



PCB-4  
Speaker Terminal P. C. Board

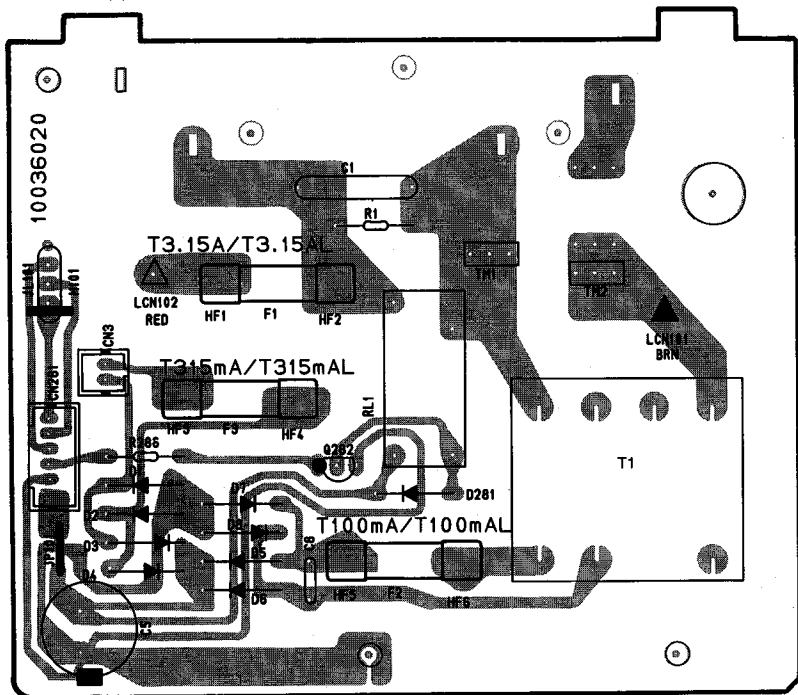




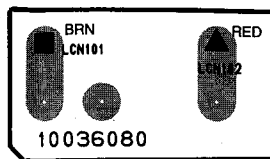


P. C. BOARDS (2)

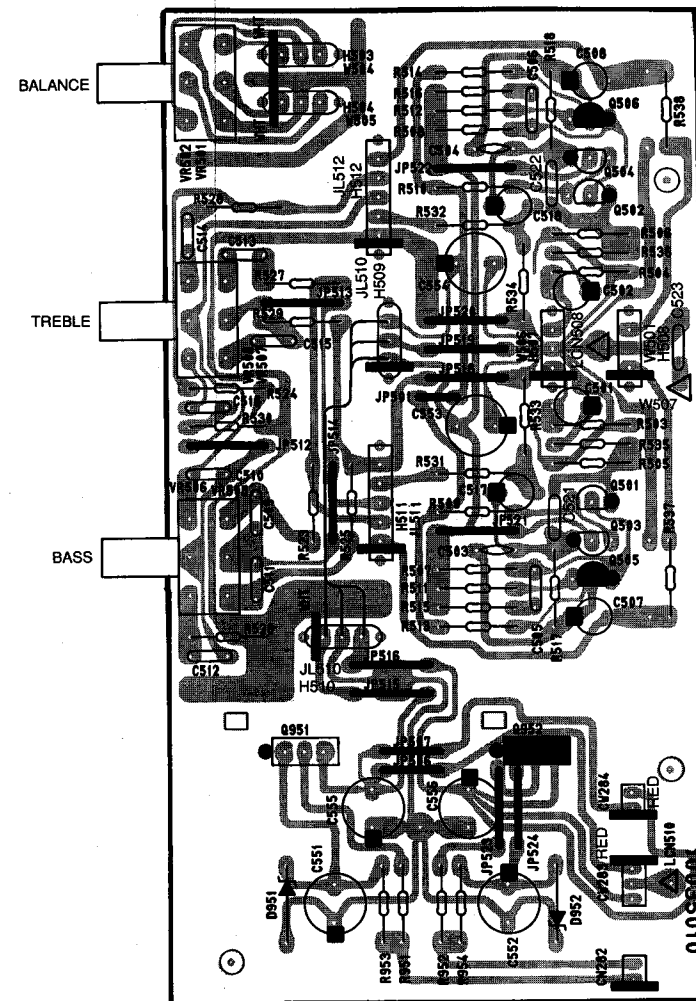
PCB-5  
Power Supply P. C. Board



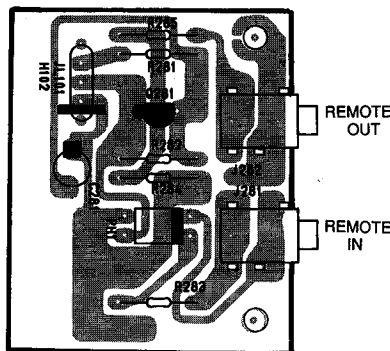
PCB-6  
Primary P. C. Board



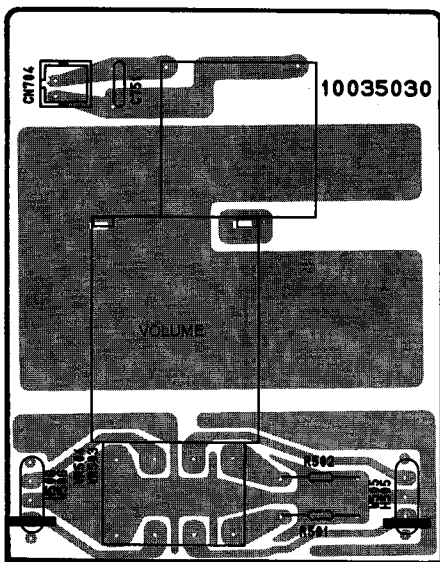
PCB-9  
Tone Control P. C. Board



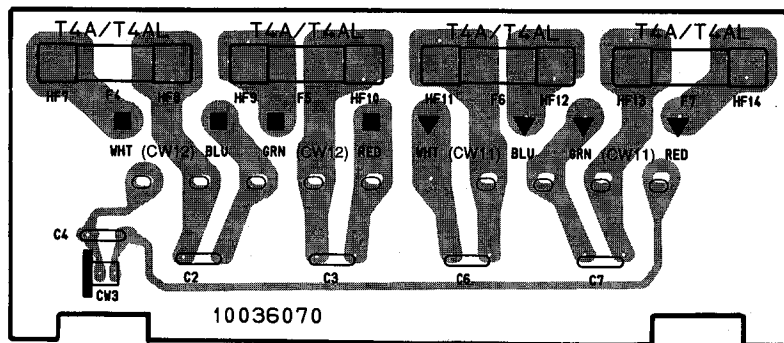
PCB-8  
Remote In/Out P. C. Board



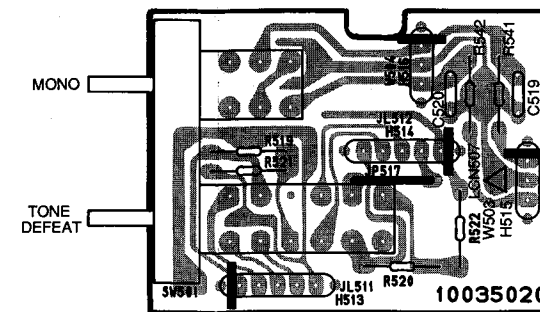
PCB-11  
Volume P. C. Board



PCB-7  
Secondary P. C. Board



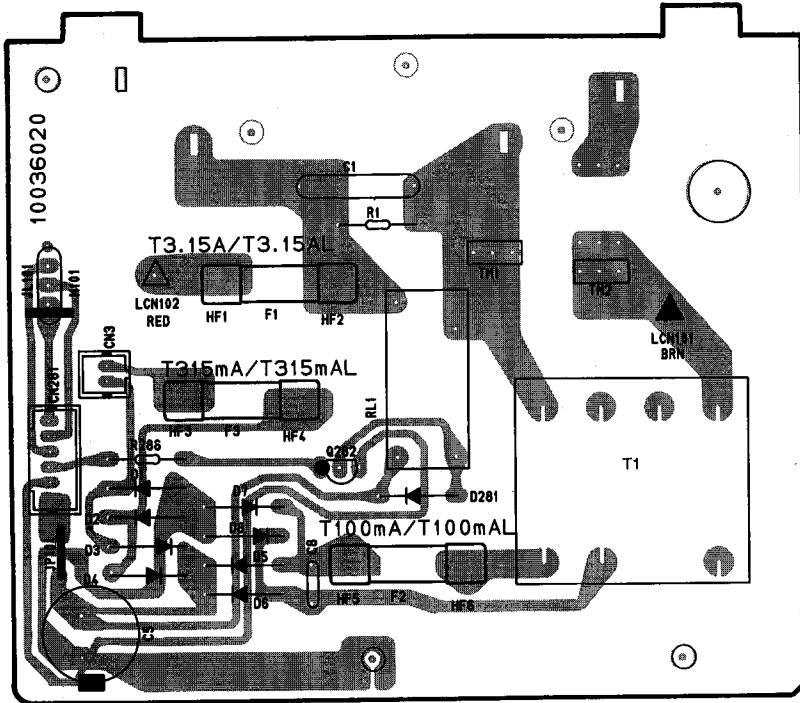
PCB-10  
Mono/Stereo Switch P. C. Board



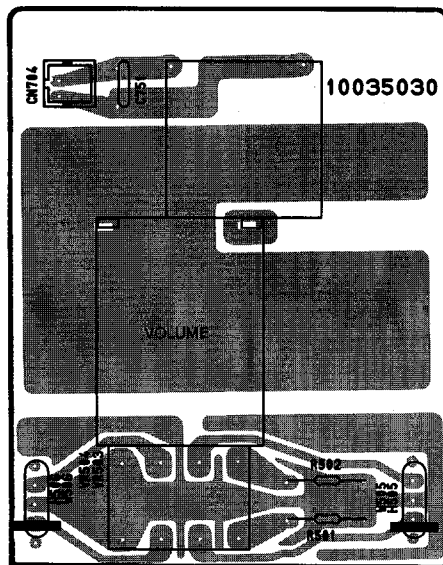
1  
2  
3  
4  
5  
6  
7

**P. C. BOARDS (2)**

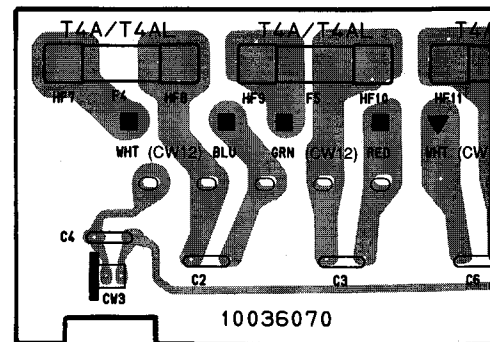
**PCB-5**  
Power Supply P. C. Board



**PCB-11**  
Volume P. C. Board



**PCB-7**  
Secondary P. C. Board



F

G

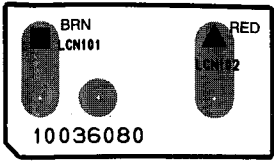
H

I

J

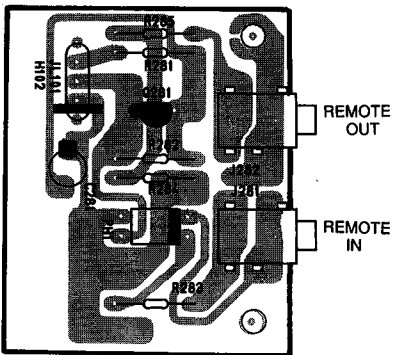
PCB-6

Primary P. C. Board



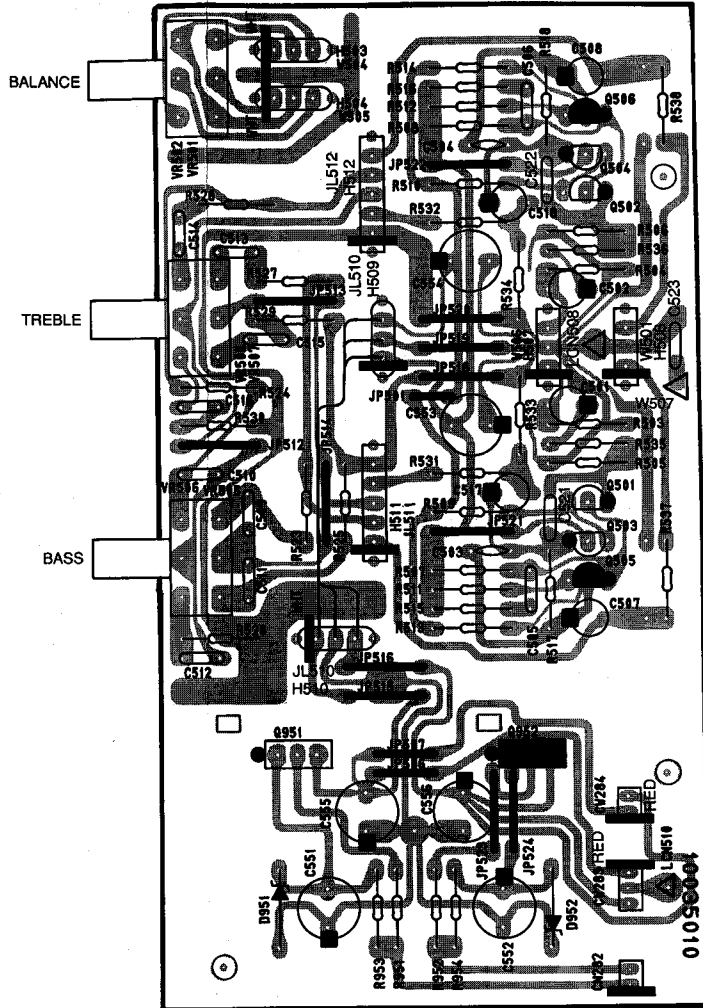
PCB-8

Remote In/Out P. C. Board



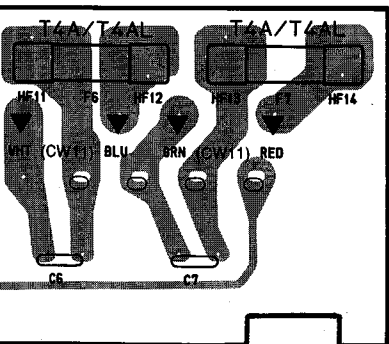
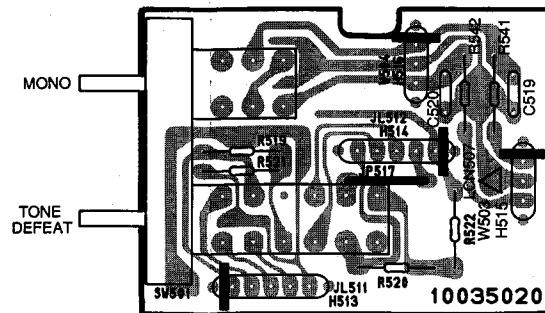
PCB-9

Tone Control P. C. Board



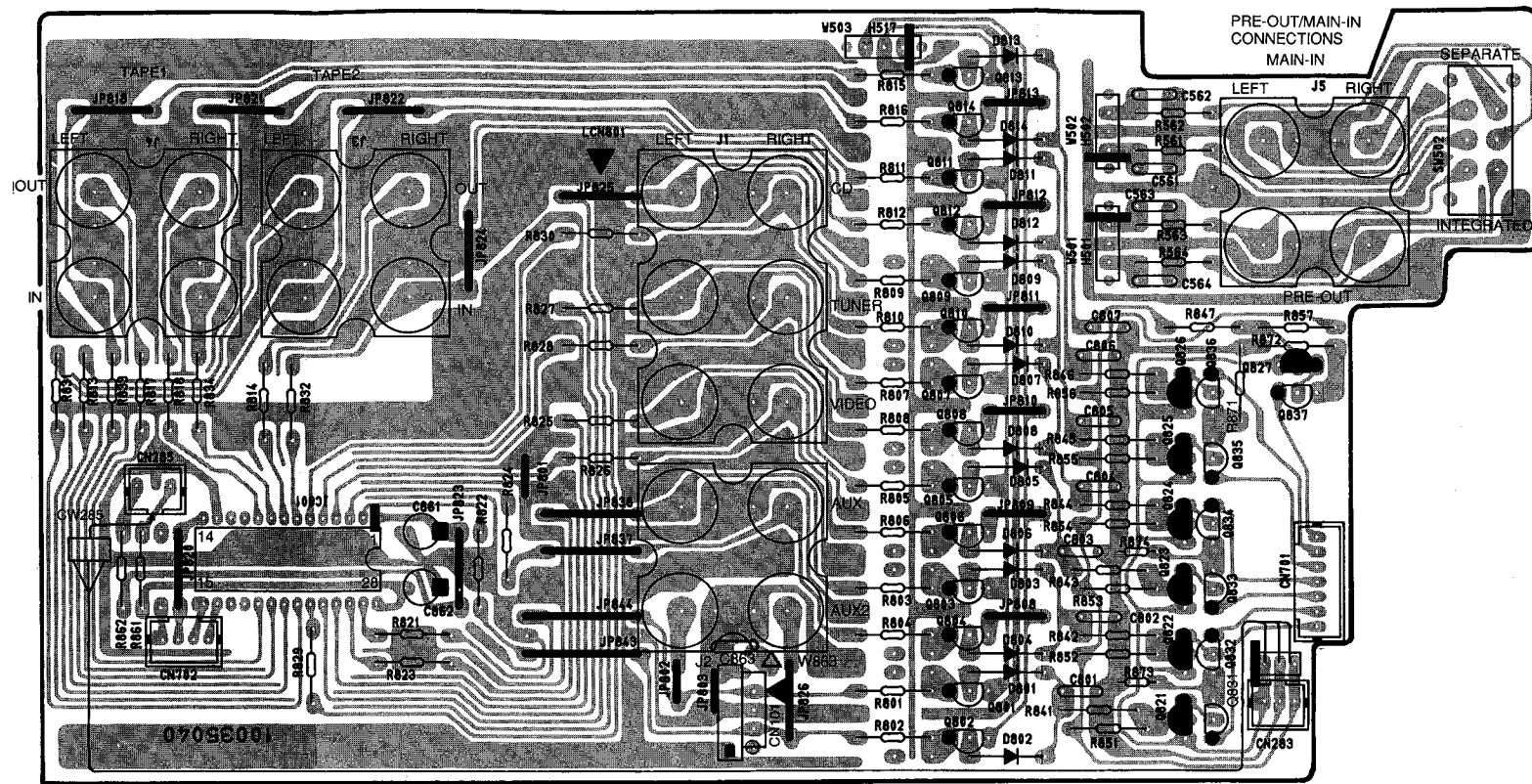
PCB-10

Mono/Stereo Switch P. C. Board

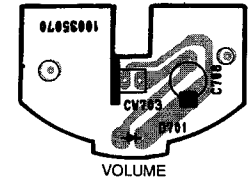


P. C. BOARDS (3)

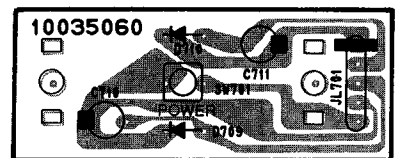
PCB-12  
Control P. C. Board



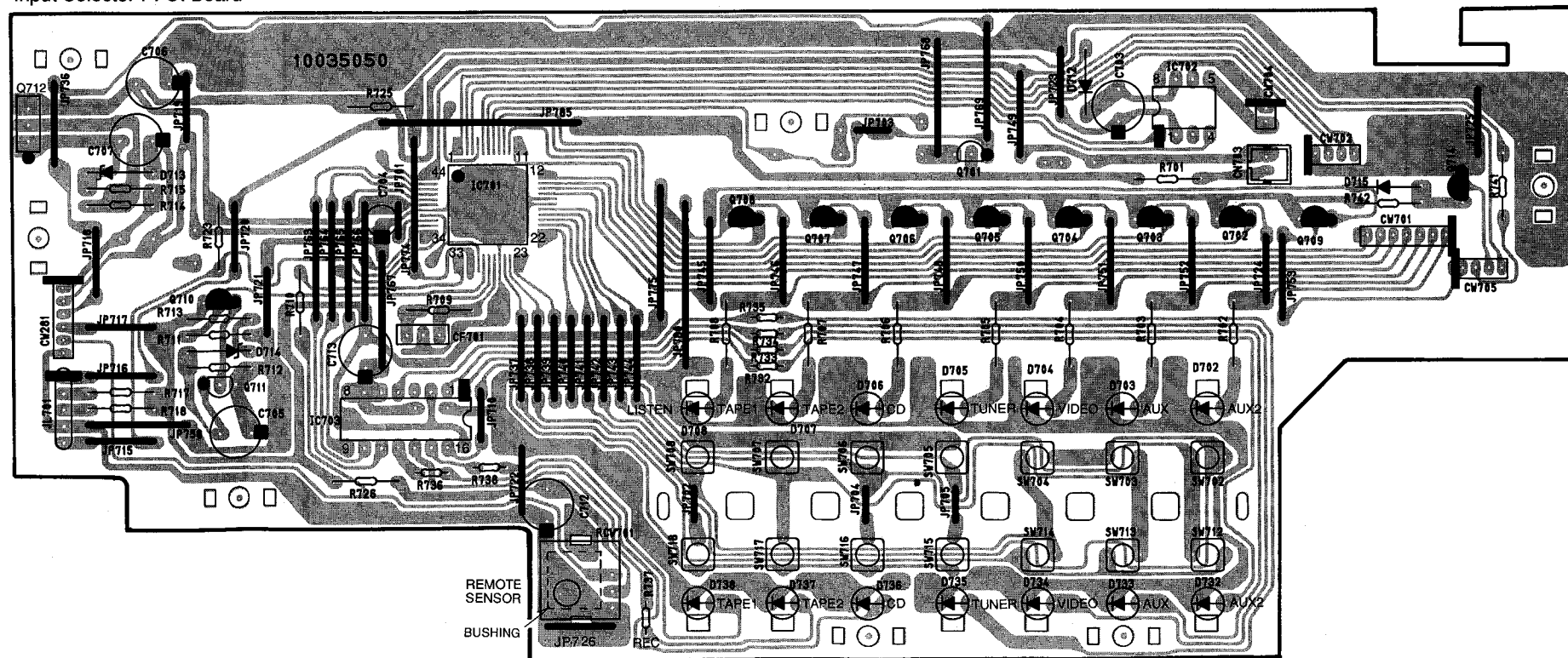
PCB-14  
Volume LED P. C. Board



PCB-15  
Power LED P. C. Board



PCB-13  
Input Selector P. C. Board

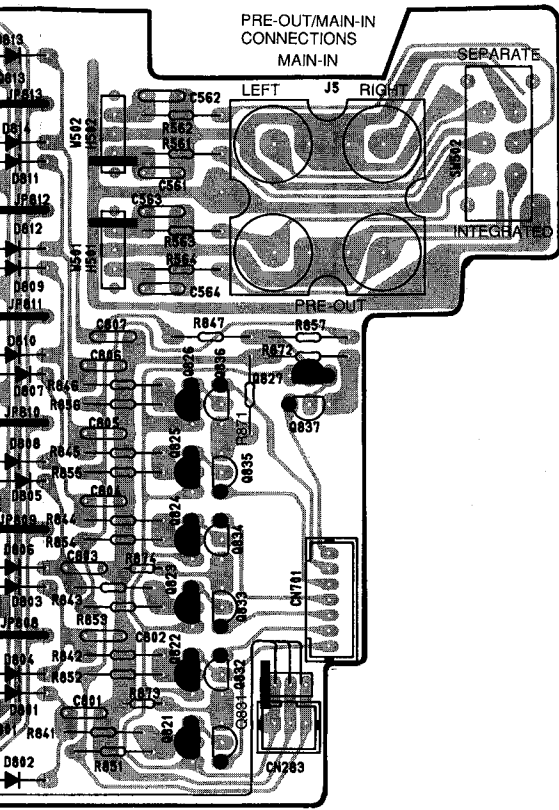


REMOTE SENSOR  
BUSHING

1  
2  
3  
4  
5  
6  
7

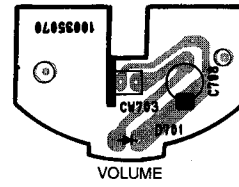






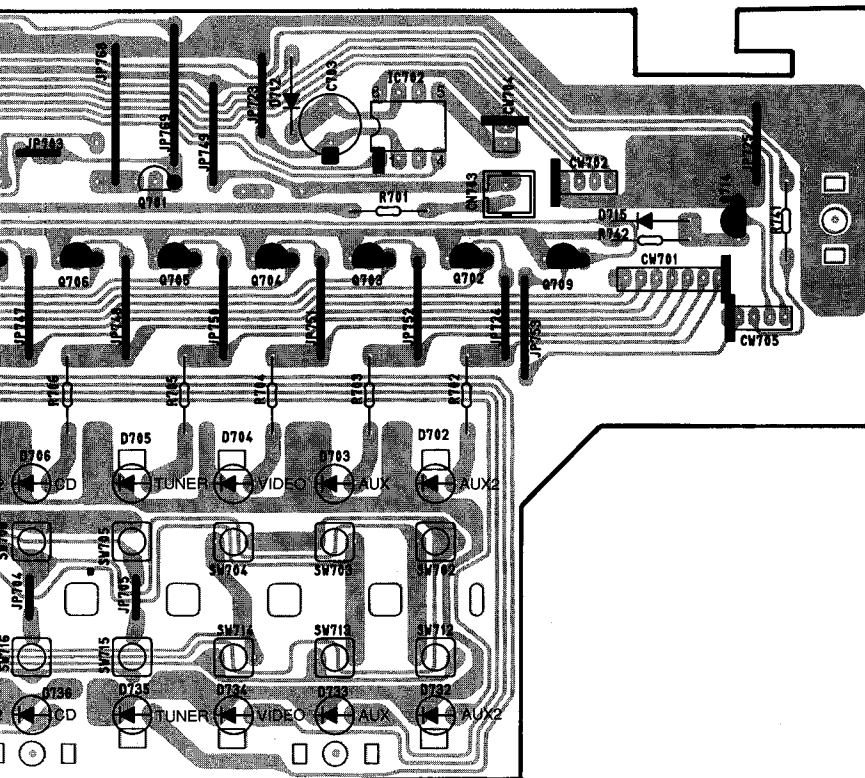
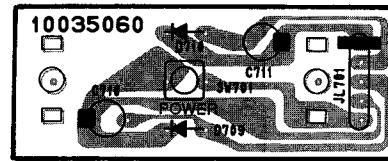
PCB-14

Volume LED P. C. Board



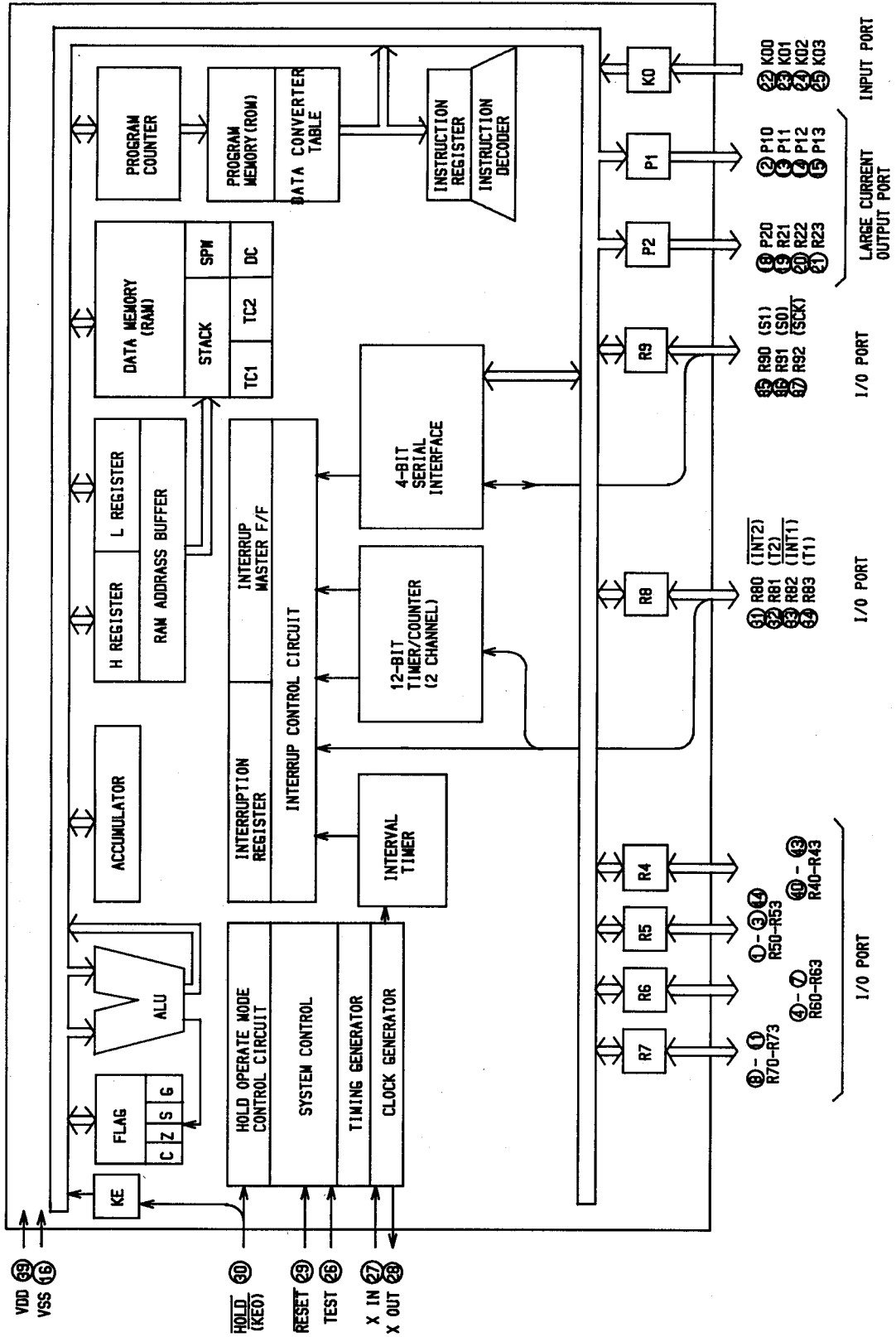
PCB-15

Power LED P. C. Board



IC BLOCK DIAGRAM

IC701:TMP47C200BF  
Micro Computer



## IC701 : IC TERMINAL FUNCTION

Pin No	Pin Name	I/O	Function
1	R51	I/O	4-bit w/latch input/output port
2	R52	I/O	4-bit w/latch input/output port
3	R53	I/O	4-bit w/latch input/output port
4	R60	I/O	4-bit w/latch input/output port
5	R61	I/O	4-bit w/latch input/output port
6	R62	I/O	4-bit w/latch input/output port
7	R63	I/O	4-bit w/latch input/output port
8	R70	I/O	4-bit w/latch input/output port
9	R71	I/O	4-bit w/latch input/output port
10	R72	I/O	4-bit w/latch input/output port
11	R73	I/O	4-bit w/latch input/output port
12	P10	O	4-bit w/latch output port
13	P11	O	4-bit w/latch output port
14	P12	O	4-bit w/latch output port
15	P13	O	4-bit w/latch output port
16	VSS	I	0V (GND)
17	N.C.	-	Non connect
18	P20	O	4-bit w/latch output port
19	P21	O	4-bit w/latch output port
20	P22	O	4-bit w/latch output port
21	P23	O	4-bit w/latch output port
22	K00	I	4-bit input port
23	K01	I	4-bit input port
24	K02	I	4-bit input port
25	K03	I	4-bit input port
26	TEST	I	Test point terminal
27	XIN	I	Crystal oscillator input
28	XOUT	O	Crystal oscillator output
29	RESET	I	Reset signal input
30	HOLD(KEO)	I	Sens input
31	R80(INT2)	I/O	External interruption 2 input
32	R81(T2)	I/O	Timer/counter 2 input
33	R82(INT1)	I/O	External interruption 1 input
34	R83(T1)	I/O	4-bit w/latch input/output, timer/counter input
35	R90(SI)	I	Serial data input
36	R91(SO)	O	Serial data output
37	R92(SCK)	I/O	Serial clock input/output
38	N.C.	-	Non connect
39	VDD	I	+5V Power supply
40	R40	I/O	4-bit input/output port
41	R41	I/O	4-bit input/output port
42	R42	I/O	4-bit input/output port
43	R43	I/O	4-bit input/output port
44	R50	I/O	4-bit input/output port



Ser. No.	Ref. No.	Part No.	Description
668	Q21	5616-2SK366BL	FET,N-CH
668	Q22	5616-2SK366BL	FET,N-CH
667	Q23	5611-970(BL)	XISTOR,PNP R
666	Q91	5611-933S(S)	XISTOR,PNP R
609	Q401	5613-1775(F)	XISTOR,NPN R
609	Q402	5613-1775(F)	XISTOR,NPN R
609	Q403	5613-1775(F)	XISTOR,NPN R
609	Q404	5613-1775(F)	XISTOR,NPN R
610	Q405	5612-646A(C)	XISTOR,PNP A
610	Q406	5612-646A(C)	XISTOR,PNP A
610	Q407	5612-646A(C)	XISTOR,PNP A
610	Q408	5612-646A(C)	XISTOR,PNP A
611	Q409	5613-2240(BL)	XISTOR,NPN R
611	Q410	5613-2240(BL)	XISTOR,NPN R
611	Q411	5613-2240(BL)	XISTOR,NPN R
611	Q412	5613-2240(BL)	XISTOR,NPN R
610	Q413	5612-646A(C)	XISTOR,PNP A
610	Q414	5612-646A(C)	XISTOR,PNP A
613	Q415	5614-666A(C)	XISTOR,NPN A
613	Q416	5614-666A(C)	XISTOR,NPN A
614	Q417	5613-3423(Y)	XISTOR,NPN R
614	Q418	5613-3423(Y)	XISTOR,NPN R
615	Q419	5614-667A(C)	XISTOR,NPN A
615	Q420	5614-667A(C)	XISTOR,NPN A
616	Q421	5612-647A(C)	XISTOR,PNP A
616	Q422	5612-647A(C)	XISTOR,PNP A
617	Q423	5611-1837(Y)	XISTOR,PNP R
617	Q424	5611-1837(Y)	XISTOR,PNP R
618	Q425	5613-4793(Y)	XISTOR,NPN R
618	Q426	5613-4793(Y)	XISTOR,NPN R
619	Q427	5613-3907(O)	XISTOR,NPN R
619	Q428	5613-3907(O)	XISTOR,NPN R
620	Q429	5611-1516(O)	XISTOR,PNP R
620	Q430	5611-1516(O)	XISTOR,PNP R
619	Q431	5613-3907(O)	XISTOR,NPN R
619	Q432	5613-3907(O)	XISTOR,NPN R
620	Q433	5611-1516(O)	XISTOR,PNP R
620	Q434	5611-1516(O)	XISTOR,PNP R
612	Q435	5613-1775(F)	XISTOR,NPN R
612	Q436	5613-1775(F)	XISTOR,NPN R
614	Q437	5613-3423(Y)	XISTOR,NPN R
614	Q438	5613-3423(Y)	XISTOR,NPN R
621	Q481	5611-970(BL)	XISTOR,PNP R
621	Q482	5611-970(BL)	XISTOR,PNP R

**DIODES**

722	△ D17	5685-D5SB20	SILICON,BRIG
722	△ D18	5685-D5SB20	SILICON,BRIG
722	△ D19	5685-D5SB20	SILICON,BRIG
722	△ D20	5685-D5SB20	SILICON,BRIG
607	D25	5631-1S2473	DIODE,DET
607	D26	5631-1S2473	DIODE,DET
607	D27	5631-1S2473	DIODE,DET
607	D28	5631-1S2473	DIODE,DET
608	D481	5635-HZ15-1L	DIODE,ZENER
608	D482	5635-HZ15-1L	DIODE,ZENER

**CONTROLS**

643	VR401	5101-S0801501	RES,SEMI FIX 500, IDRING CURRENT
643	VR402	5101-S0801501	RES,SEMI FIX 500, IDRING CURRENT
644	VR481	5101-S0801104	RES,SEMI FIX 100K, DC BALANCE
644	VR482	5101-S0801104	RES,SEMI FIX 100K, DC BALANCE

**MISCELLANEOUS**

889	CN102	4443-0201140	CONNECTOR, 2 PIN
888	CN284	4443-0201140	CONNECTOR, 2 PIN
884	CN705	4443-0401140	CONNECTOR, 4 PIN
892	CW11	4163-S5404451	CONNECTOR W/W, 4 PIN
892	CW12	4163-S5404451	CONNECTOR W/W, 4 PIN
906	CW282	4163-S0202351	CONNECTOR W/W, 2 PIN
913	LCN401	4163-0155027	CONNECTOR W/W, 1 PIN
914	LCN402	4163-0155025	CONNECTOR W/W, 1 PIN

Ser. No.	Ref. No.	Part No.	Description
915	LCN403	4163-0150024	CONNECTOR W/W, 1 PIN
916	LCN404	4163-0150026	CONNECTOR W/W, 1 PIN
686	TM401	4214-11031	TERMINAL, 3 PIN
689	TM403	4214-11022	TERMINAL
689	TM404	4214-11022	TERMINAL
957	W411	4122-00280601	WIRE
958	W412	4122-00420550	WIRE,LUG

**PCB-2 SPEAKER SWITCH P.C. BOARD**

**MISCELLANEOUS**

685	CC401	4132-R0110131	CORD,2C
912	CW401	4163-S5404451	CONNECTOR W/W, 4 PIN
684	SW401	4431-S0319204	SWITCH,PUSH, SPEAKERS 1/2

**PCB-3 HEADPHONES P.C. BOARD**

**CAPACITORS**

681	C81	5359-1015851	CAP,PPP 100P
681	C82	5359-1015851	CAP,PPP 100P

**RESISTORS**

683	R81	5130-R030J471	RES,CBN 1/2P 470
683	R82	5130-R030J471	RES,CBN 1/2P 470

**MISCELLANEOUS**

682	HP401	4451-51501	JACK,1P, HEADPHONES
-----	-------	------------	---------------------

**PCB-4 SPEAKER TERMINAL P.C. BOARD**

**MISCELLANEOUS**

687	TM402	4214-221	TERMINAL, SPEAKER SYSTEM
-----	-------	----------	--------------------------

**PCB-5 POWER SUPPLY P.C. BOARD**

**CAPACITORS**

698	△ C1	5352-1030958	CAP,MTL .01μ
699	C5	5345-S29DM108	CAP,MINI ELE 1000μ/25V
697	C8	5354-104593	CAP,MYL .1μ

**RESISTORS**

711	△ R1	5130-R030J335	RES,CBN 1/2P 3.3M
716	R286	5130-R030J102	RES,CBN 1/2P 1K

**TRANSISTOR**

710	Q282	5613-3246(H)	XISTOR,NPN R
-----	------	--------------	--------------

**DIODES**

701	△ D1	5632-S5566B	DIODE,RECT
701	△ D2	5632-S5566B	DIODE,RECT
701	△ D3	5632-S5566B	DIODE,RECT
701	△ D4	5632-S5566B	DIODE,RECT
701	△ D5	5632-S5566B	DIODE,RECT
701	△ D6	5632-S5566B	DIODE,RECT
701	△ D7	5632-S5566B	DIODE,RECT
701	△ D8	5632-S5566B	DIODE,RECT
702	D281	5631-1S2473	DIODE,DET

**MISCELLANEOUS**

879	CN3	4443-0201140	CONNECTOR, 2 PIN
885	CN281	4443-0601140	CONNECTOR, 6 PIN
703	△ F1	5732-01601312	FUSE, T3.15A/T3.15AL 250V
688	△ F2	5732-01601101	FUSE, T100mA/T100mAL 250V
704	△ F3	5732-01601311	FUSE, T315mA/T315mAL 250V
705	△ HF1	4472-04901	HOLDER,FUSE, F1
705	△ HF2	4472-04901	HOLDER,FUSE, F1
705	△ HF3	4472-04901	HOLDER,FUSE, F3
705	△ HF4	4472-04901	HOLDER,FUSE, F3
705	△ HF5	4472-04901	HOLDER,FUSE, F2
705	△ HF6	4472-04901	HOLDER,FUSE, F2
720	JL101	4242-R0503141	JUMPER LEAD, 3 WIRE
902	△ LCN101	4163-S5101200	CONNECTOR W/W, 1 PIN
903	△ LCN102	4163-S5201200	CONNECTOR W/W, 1 PIN
717	△ RL1	4331-02601	RELAY,DC

Ser. No.	Ref. No.	Part No.	Description
718	△ T1	5584-T1101	XFORMER, SUB
719	△ TM1	4214-245	TERMINAL
719	△ TM2	4214-245	TERMINAL
860		2240-Z032	HOLDER, H101

**PCB-7 SECONDARY P.C. BOARD**

CAPACITORS			
725	C2	5352-S060K104	CAP,MTL .1μ
725	C3	5352-S060K104	CAP,MTL .1μ
726	C4	5354-104593	CAP,MYL .1μ
725	C6	5352-S060K104	CAP,MTL .1μ
725	C7	5352-S060K104	CAP,MTL .1μ

MISCELLANEOUS			
893	CW3	4163-S0202301	CONNECTOR W/W, 2 PIN
696	△ F4	5732-01601402	FUSE, T4A/T4AL 250V
696	△ F5	5732-01601402	FUSE, T4A/T4AL 250V
696	△ F6	5732-01601402	FUSE, T4A/T4AL 250V
696	△ F7	5732-01601402	FUSE, T4A/T4AL 250V
695	△ HF7	4472-04901	HOLDER,FUSE, F4
695	△ HF8	4472-04901	HOLDER,FUSE, F4
695	△ HF9	4472-04901	HOLDER,FUSE, F5
695	△ HF10	4472-04901	HOLDER,FUSE, F5
695	△ HF11	4472-04901	HOLDER,FUSE, F6
695	△ HF12	4472-04901	HOLDER,FUSE, F6
695	△ HF13	4472-04901	HOLDER,FUSE, F7
695	△ HF14	4472-04901	HOLDER,FUSE, F7

**PCB-8 REMOTE IN/OUT P.C. BOARD**

CAPACITOR			
700	C281	5345-476D041	CAP,MINI ELE 47μ/25V

RESISTORS			
712	R281	5130-R030J470	RES,CBN 1/2P 47
713	R282	5130-R030J392	RES,CBN 1/2P 3.9K
714	R283	5130-R030J271	RES,CBN 1/2P 270
715	R284	5130-R030J473	RES,CBN 1/2P 47K
712	R285	5130-R030J470	RES,CBN 1/2P 47

TRANSISTOR			
709	Q281	5611-A143ES	XISTOR,PNP R

MISCELLANEOUS			
706	J281	4451-00184	JACK,1P, REMOTE IN
706	J282	4451-00184	JACK,1P, REMOTE OUT
708	PH1	5624-PC817	PHOTO COUPLER
861		2240-Z032	HOLDER, H102

**PCB-9 TONE CONTROL P.C. BOARD**

CAPACITORS			
729	C501	5345-S29FM106	CAP,MINI ELE 10μ/50V
729	C502	5345-S29FM106	CAP,MINI ELE 10μ/50V
730	C503	5353-020933	CAP,MCA 2P
730	C504	5353-020933	CAP,MCA 2P
737	C505	5359-3315851	CAP,PPP 330P
737	C506	5359-3315851	CAP,PPP 330P
731	C507	5345-S29CM476	CAP,MINI ELE 47μ/16V
731	C508	5345-S29CM476	CAP,MINI ELE 47μ/16V
732	C509	5359-S010J273	CAP,PPP .027μ
732	C510	5359-S010J273	CAP,PPP .027μ
733	C511	5354-154593	CAP,MYL .15μ
733	C512	5354-154593	CAP,MYL .15μ
734	C513	5359-S010J682	CAP,PPP 6800P
734	C514	5359-S010J682	CAP,PPP 6800P
735	C515	5354-393593	CAP,MYL .039μ
735	C516	5354-393593	CAP,MYL .039μ
736	C517	5345-S29DM226	CAP,MINI ELE 22μ/25V
736	C518	5345-S29DM226	CAP,MINI ELE 22μ/25V
727	C521	5359-S010K101	CAP,PPP 100P
727	C522	5359-S010K101	CAP,PPP 100P
771	C523	5354-104593	CAP,MYL .1μ
738	C551	5345-S29DM227	CAP,MINI ELE 220μ/25V

Ser. No.	Ref. No.	Part No.	Description
738	C552	5345-S29DM227	CAP,MINI ELE 220μ/25V
738	C553	5345-S29DM227	CAP,MINI ELE 220μ/25V
738	C554	5345-S29DM227	CAP,MINI ELE 220μ/25V
738	C555	5345-S29DM227	CAP,MINI ELE 220μ/25V
738	C556	5345-S29DM227	CAP,MINI ELE 220μ/25V

**RESISTORS**

748	R503	5130-R030J224	RES,CBN 1/2P 220K
748	R504	5130-R030J224	RES,CBN 1/2P 220K
749	R505	5130-R030J394	RES,CBN 1/2P 390K
749	R506	5130-R030J394	RES,CBN 1/2P 390K
750	R507	5130-R030J681	RES,CBN 1/2P 680
750	R508	5130-R030J681	RES,CBN 1/2P 680
751	R509	5130-R030J822	RES,CBN 1/2P 8.2K
751	R510	5130-R030J822	RES,CBN 1/2P 8.2K
752	R511	5130-R030J220	RES,CBN 1/2P 22
752	R512	5130-R030J220	RES,CBN 1/2P 22
753	R513	5130-R030J272	RES,CBN 1/2P 2.7K
753	R514	5130-R030J272	RES,CBN 1/2P 2.7K
757	R515	5130-R030J101	RES,CBN 1/2P 100
757	R516	5130-R030J101	RES,CBN 1/2P 100
754	R517	5130-R030J274	RES,CBN 1/2P 270K
754	R518	5130-R030J274	RES,CBN 1/2P 270K
755	R523	5130-R030J153	RES,CBN 1/2P 15K
755	R524	5130-R030J153	RES,CBN 1/2P 15K
756	R525	5130-R030J272	RES,CBN 1/2P 2.7K
756	R526	5130-R030J272	RES,CBN 1/2P 2.7K
758	R527	5130-R030J122	RES,CBN 1/2P 1.2K
758	R528	5130-R030J122	RES,CBN 1/2P 1.2K
760	R529	5130-R030J331	RES,CBN 1/2P 330
760	R530	5130-R030J331	RES,CBN 1/2P 330
760	R531	5130-R030J331	RES,CBN 1/2P 330
760	R532	5130-R030J331	RES,CBN 1/2P 330
761	R533	5130-R030J473	RES,CBN 1/2P 47K
761	R534	5130-R030J473	RES,CBN 1/2P 47K
760	R535	5130-R030J331	RES,CBN 1/2P 330
760	R536	5130-R030J331	RES,CBN 1/2P 330
760	R537	5130-R030J331	RES,CBN 1/2P 330
760	R538	5130-R030J331	RES,CBN 1/2P 330
762	△ R951	5102-4R75116	RES,FUSE 4.7
762	△ R952	5102-4R75116	RES,FUSE 4.7
747	R953	5130-R030J472	RES,CBN 1/2P 4.7K
747	R954	5130-R030J472	RES,CBN 1/2P 4.7K

**TRANSISTORS**

742	Q501	5613-2320L(F)	XISTOR,NPN R
742	Q502	5613-2320L(F)	XISTOR,NPN R
742	Q503	5613-2320L(F)	XISTOR,NPN R
742	Q504	5613-2320L(F)	XISTOR,NPN R
743	Q505	5611-999L(F)	XISTOR,PNP R
743	Q506	5611-999L(F)	XISTOR,PNP R
745	Q951	5614-2012	XISTOR,NPN A
744	Q952	5612-1375	XISTOR,PNP A

**DIODES**

740	D951	5635-HZ15-2L	DIODE,ZENER
740	D952	5635-HZ15-2L	DIODE,ZENER

**CONTROLS**

764	VR501/502	5113-S0607104	RES, V CBN 16 100K, BALANCE
766	VR505/506	5113-10474148	RES, V CBN 16 100K, BASS
767	VR507/508	5113-50373148	RES, V CBN 16 50K, TREBLE

**MISCELLANEOUS**

886	CN282	4443-0201140	CONNECTOR, 2 PIN
907	CW283	4163-S0203451	CONNECTOR W/W, 3 PIN
908	CW284	4163-S0202181	CONNECTOR W/W, 2 PIN
691	JL510	4242-R0503700	JUMPER LEAD, 3 WIRE
741	JL511	4242-R0505131	JUMPER LEAD, 5 WIRE
741	JL512	4242-R0505131	JUMPER LEAD, 5 WIRE
956	LCN508	4163-S04401300	CONNECTOR W/W
917	LCN510	4163-S4401300	CONNECTOR W/W, 1 PIN
772	LUG3	4211-4	LUG, W509

Ser. No.	Ref. No.	Part No.	Description
953	W505	4142-00151201	SHLD WIRE,2C
773	W509	4122-00270101	WIRE
862		2240-Z031	HOLDER, H503, 504, 507, 508
864		2240-Z052	HOLDER, H511, 512
869		2240-Z032	HOLDER, H509, 510

**PCB-10 MONO/STEREO SWITCH P.C. BOARD**

CAPACITORS			
728	C519	5359-1015851	CAP,PPP 100P
728	C520	5359-1015851	CAP,PPP 100P
RESISTORS			
769	R519	5130-R030J153	RES,CBN 1/2P 15K
769	R520	5130-R030J153	RES,CBN 1/2P 15K
770	R521	5130-R030J272	RES,CBN 1/2P 2.7K
770	R522	5130-R030J272	RES,CBN 1/2P 2.7K
768	R541	5130-R030J102	RES,CBN 1/2P 1K
768	R542	5130-R030J102	RES,CBN 1/2P 1K
MISCELLANEOUS			
955	LCN507	4163-S04401250	CONNECTOR W/W
763	SW501	4431-S0320206	SWITCH,PUSH, MONO/ TONE DEFEAT
952	W504	4142-00151141	SHLD WIRE,2C
865		2240-Z052	HOLDER, H513, 514
868		2240-Z031	HOLDER, H515, 516

**PCB-11 VOLUME P.C. BOARD**

CAPACITOR			
739	C751	5354-104593	CAP,MYL .1μ
RESISTORS			
746	R501	5130-R030J152	RES,CBN 1/2P 1.5K
746	R502	5130-R030J152	RES,CBN 1/2P 1.5K
CONTROLS			
765	VR503/ 504	6161-00303	VR BLOCK, VOLUME
MISCELLANEOUS			
883	CN704	4443-0201140	CONNECTOR, 2 PIN
954	W506	4142-00151201	SHLD WIRE,2C
863		2240-Z031	HOLDER, H505, 506

**PCB-12 CONTROL P.C. BOARD**

CAPACITORS			
781	C561	5359-S010K101	CAP,PPP 100P
781	C562	5359-S010K101	CAP,PPP 100P
781	C563	5359-S010K101	CAP,PPP 100P
781	C564	5359-S010K101	CAP,PPP 100P
782	C801	5354-104593	CAP,MYL .1μ
782	C802	5354-104593	CAP,MYL .1μ
782	C803	5354-104593	CAP,MYL .1μ
782	C804	5354-104593	CAP,MYL .1μ
782	C805	5354-104593	CAP,MYL .1μ
782	C806	5354-104593	CAP,MYL .1μ
782	C807	5354-104593	CAP,MYL .1μ
783	C861	5345-S35DM476	CAP,MINI ELE 47μ25V
783	C862	5345-S35DM476	CAP,MINI ELE 47μ25V
804	C863	5359-S010J102	CAP,PPP 1000P
RESISTORS			
800	R561	5130-R030J222	RES,CBN 1/2P 2.2K
800	R562	5130-R030J222	RES,CBN 1/2P 2.2K
799	R563	5130-R030J331	RES,CBN 1/2P 330
799	R564	5130-R030J331	RES,CBN 1/2P 330
793	R801	5130-R030J102	RES,CBN 1/2P 1K
793	R802	5130-R030J102	RES,CBN 1/2P 1K
793	R803	5130-R030J102	RES,CBN 1/2P 1K
793	R804	5130-R030J102	RES,CBN 1/2P 1K
793	R805	5130-R030J102	RES,CBN 1/2P 1K
793	R806	5130-R030J102	RES,CBN 1/2P 1K

Ser. No.	Ref. No.	Part No.	Description
793	R807	5130-R030J102	RES,CBN 1/2P 1K
793	R808	5130-R030J102	RES,CBN 1/2P 1K
793	R809	5130-R030J102	RES,CBN 1/2P 1K
793	R810	5130-R030J102	RES,CBN 1/2P 1K
793	R811	5130-R030J102	RES,CBN 1/2P 1K
794	R812	5130-R030J102	RES,CBN 1/2P 1K
794	R813	5130-R030J102	RES,CBN 1/2P 1K
794	R814	5130-R030J102	RES,CBN 1/2P 1K
794	R815	5130-R030J102	RES,CBN 1/2P 1K
794	R816	5130-R030J102	RES,CBN 1/2P 1K
794	R817	5130-R030J102	RES,CBN 1/2P 1K
794	R818	5130-R030J102	RES,CBN 1/2P 1K
794	R821	5130-R030J102	RES,CBN 1/2P 1K
794	R822	5130-R030J102	RES,CBN 1/2P 1K
794	R823	5130-R030J102	RES,CBN 1/2P 1K
794	R824	5130-R030J102	RES,CBN 1/2P 1K
795	R825	5130-R030J102	RES,CBN 1/2P 1K
795	R826	5130-R030J102	RES,CBN 1/2P 1K
795	R827	5130-R030J102	RES,CBN 1/2P 1K
795	R828	5130-R030J102	RES,CBN 1/2P 1K
795	R829	5130-R030J102	RES,CBN 1/2P 1K
795	R830	5130-R030J102	RES,CBN 1/2P 1K
795	R831	5130-R030J102	RES,CBN 1/2P 1K
795	R832	5130-R030J102	RES,CBN 1/2P 1K
795	R833	5130-R030J102	RES,CBN 1/2P 1K
795	R834	5130-R030J102	RES,CBN 1/2P 1K
796	R841	5130-R030J225	RES,CBN 1/2P 2.2M
796	R842	5130-R030J225	RES,CBN 1/2P 2.2M
796	R843	5130-R030J225	RES,CBN 1/2P 2.2M
796	R844	5130-R030J225	RES,CBN 1/2P 2.2M
796	R845	5130-R030J225	RES,CBN 1/2P 2.2M
796	R846	5130-R030J225	RES,CBN 1/2P 2.2M
796	R847	5130-R030J225	RES,CBN 1/2P 2.2M
797	R851	5130-R030J104	RES,CBN 1/2P 100K
797	R852	5130-R030J104	RES,CBN 1/2P 100K
797	R853	5130-R030J104	RES,CBN 1/2P 100K
797	R854	5130-R030J104	RES,CBN 1/2P 100K
797	R855	5130-R030J104	RES,CBN 1/2P 100K
797	R856	5130-R030J104	RES,CBN 1/2P 100K
797	R857	5130-R030J104	RES,CBN 1/2P 100K
798	R861	5102-1015116	RES,FUSE 100
798	R862	5102-1015116	RES,FUSE 100
795	R871	5130-R030J102	RES,CBN 1/2P 1K
795	R872	5130-R030J102	RES,CBN 1/2P 1K
803	R873	5130-R010J102	RES,CBN 1/6P 1K
803	R874	5130-R010J102	RES,CBN 1/6P 1K



**INTEGRATED CIRCUIT**

786	IC801	5654-TC9273N	IC,DIGITAL
-----	-------	--------------	------------

**TRANSISTORS**

789	Q801	5616-2SK364BL	FET,N-CH
789	Q802	5616-2SK364BL	FET,N-CH
789	Q803	5616-2SK364BL	FET,N-CH
789	Q804	5616-2SK364BL	FET,N-CH
789	Q805	5616-2SK364BL	FET,N-CH
789	Q806	5616-2SK364BL	FET,N-CH
789	Q807	5616-2SK364BL	FET,N-CH
789	Q808	5616-2SK364BL	FET,N-CH
789	Q809	5616-2SK364BL	FET,N-CH
789	Q810	5616-2SK364BL	FET,N-CH
789	Q811	5616-2SK364BL	FET,N-CH
790	Q812	5616-2SK364BL	FET,N-CH
790	Q813	5616-2SK364BL	FET,N-CH
790	Q814	5616-2SK364BL	FET,N-CH
791	Q821	5611-A144ES	XISTOR,PNP R
791	Q822	5611-A144ES	XISTOR,PNP R
791	Q823	5611-A144ES	XISTOR,PNP R
791	Q824	5611-A144ES	XISTOR,PNP R
791	Q825	5611-A144ES	XISTOR,PNP R
791	Q826	5611-A144ES	XISTOR,PNP R
791	Q827	5611-A144ES	XISTOR,PNP R
792	Q831	5613-C144ES	XISTOR,NPN R
792	Q832	5613-C144ES	XISTOR,NPN R
792	Q833	5613-C144ES	XISTOR,NPN R
792	Q834	5613-C144ES	XISTOR,NPN R



Ser. No.	Ref. No.	Part No.	Description	Ser. No.	Ref. No.	Part No.	Description
792	Q835	5613-C144ES	XISTOR,NPN R	844	R732	5130-R010J561	RES,CBN 1/6P 560
792	Q836	5613-C144ES	XISTOR,NPN R	844	R733	5130-R010J561	RES,CBN 1/6P 560
792	Q837	5613-C144ES	XISTOR,NPN R	844	R734	5130-R010J561	RES,CBN 1/6P 560
<b>DIODES</b>				844	R735	5130-R010J561	RES,CBN 1/6P 560
784	D801	5631-1S2473	DIODE,DET	844	R736	5130-R010J561	RES,CBN 1/6P 560
784	D802	5631-1S2473	DIODE,DET	844	R737	5130-R010J561	RES,CBN 1/6P 560
784	D803	5631-1S2473	DIODE,DET	844	R738	5130-R010J561	RES,CBN 1/6P 560
784	D804	5631-1S2473	DIODE,DET	838	R741	5130-R030J103	RES,CBN 1/2P 10K
784	D805	5631-1S2473	DIODE,DET	838	R742	5130-R030J103	RES,CBN 1/2P 10K
784	D806	5631-1S2473	DIODE,DET	<b>INTEGRATED CIRCUITS</b>			
784	D807	5631-1S2473	DIODE,DET	826	IC701	5654-T7C2BF-1	IC,DIGITAL
784	D808	5631-1S2473	DIODE,DET	827	IC702	5653-LB1639	IC,LINEAR
784	D809	5631-1S2473	DIODE,DET	828	IC703	5654-TC4051BP	IC,DIGITAL
784	D810	5631-1S2473	DIODE,DET	<b>TRANSISTORS</b>			
784	D811	5631-1S2473	DIODE,DET	829	Q701	5613-C114TS	XISTOR,NPN R
785	D812	5631-1S2473	DIODE,DET	830	Q702	5611-A143ES	XISTOR,PNP R
785	D813	5631-1S2473	DIODE,DET	830	Q703	5611-A143ES	XISTOR,PNP R
785	D814	5631-1S2473	DIODE,DET	830	Q704	5611-A143ES	XISTOR,PNP R
<b>MISCELLANEOUS</b>				830	Q705	5611-A143ES	XISTOR,PNP R
802	CN101	4443-030185	CONNECTOR, 3 PIN	830	Q706	5611-A143ES	XISTOR,PNP R
887	CN283	4443-0301140	CONNECTOR, 3 PIN	830	Q707	5611-A143ES	XISTOR,PNP R
887	CN285	4443-0301140	CONNECTOR, 3 PIN	830	Q708	5611-A143ES	XISTOR,PNP R
880	CN701	4443-0701140	CONNECTOR, 7 PIN	830	Q709	5611-A143ES	XISTOR,PNP R
881	CN702	4443-0401140	CONNECTOR, 4 PIN	830	Q710	5611-A114ES	XISTOR,PNP R
909	CW285	4163-S0203181	CONNECTOR W/W, 3 PIN	831	Q711	5613-1740S(S)	XISTOR,NPN R
788	J1	4486-16	PIN JACK,6P, VIDEO/ TUNER/CD	832	Q712	5614-2012	XISTOR,NPN A
787	J2	4484-47	PIN JACK,4P, AUX/AUX 2	833	Q713	5614-2012	XISTOR,NPN A
787	J3	4484-47	PIN JACK,4P, TAPE 2 IN/OUT	846	Q714	5611-A124ES	XISTOR,PNP R
787	J4	4484-47	PIN JACK,4P, TAPE 1 IN/OUT	<b>DIODES</b>			
787	J5	4484-47	PIN JACK,4P, PRE-OUT/ MAIN-IN	821	D702	5637-S2410E6A	LED, AUX 2
918	LCN801	4163-0135020	CONNECTOR W/W, 1 PIN	821	D703	5637-S2410E6A	LED, AUX
806	LUG1	4122-4	LUG, W863	821	D704	5637-S2410E6A	LED, VIDEO
801	SW502	4421-02602022	SWITCH,SLIDE, INTEGRATED/ SEPARATE	821	D705	5637-S2410E6A	LED, TUNER
949	W501	4142-00151451	SHLD WIRE,2C	821	D706	5637-S2410E6A	LED, CD
950	W502	4142-00151301	SHLD WIRE,2C	821	D707	5637-S2410E6A	LED, TAPE 2
951	W503	4142-00151451	SHLD WIRE,2C	821	D708	5637-S2410E6A	LED, TAPE 1
805	W863	4122-00270121	WIRE	823	D712	5631-1S2473	DIODE,DET
867		2240-Z031	HOLDER	824	D713	5635-HZ6A2L	DIODE,ZENER
<b>PCB-13 INPUT SELECTOR P.C. BOARD</b>				825	D714	5635-HZ3B2	DIODE,ZENER
<b>CAPACITORS</b>				823	D715	5631-1S2473	DIODE,DET
811	C703	5345-S35BM107	CAP,MINI ELE 100μ/10V	820	D732	5637-S2210S1A	LED, AUX 2
811	C704	5345-S35BM107	CAP,MINI ELE 100μ/10V	820	D733	5637-S2210S1A	LED, AUX
811	C705	5345-S35BM107	CAP,MINI ELE 100μ/10V	820	D734	5637-S2210S1A	LED, VIDEO
812	C706	5345-S35BM227	CAP,MINI ELE 220μ/10V	820	D735	5637-S2210S1A	LED, TUNER
812	C707	5345-S35BM227	CAP,MINI ELE 220μ/10V	820	D736	5637-S2210S1A	LED, CD
811	C712	5345-S35BM107	CAP,MINI ELE 100μ/10V	820	D737	5637-S2210S1A	LED, TAPE 2
811	C713	5345-S35BM107	CAP,MINI ELE 100μ/10V	820	D738	5637-S2210S1A	LED, TAPE 1
<b>RESISTORS</b>				<b>MISCELLANEOUS</b>			
834	R701	5130-R030J271	RES,CBN 1/2P 270	816	CF701	5693-FC4004A4	OSC,CER
845	R702	5130-R030J681	RES,CBN 1/2P 680	882	CN703	4443-0201140	CONNECTOR, 2 PIN
845	R703	5130-R030J681	RES,CBN 1/2P 680	905	CW281	4163-S0206451	CONNECTOR W/W, 6 PIN
845	R704	5130-R030J681	RES,CBN 1/2P 680	894	CW701	4163-S0207501	CONNECTOR W/W, 7 PIN
845	R705	5130-R030J681	RES,CBN 1/2P 680	895	CW702	4163-S0204651	CONNECTOR W/W, 4 PIN
845	R706	5130-R030J681	RES,CBN 1/2P 680	897	CW704	4163-S0202151	CONNECTOR W/W, 2 PIN
845	R707	5130-R030J681	RES,CBN 1/2P 680	898	CW705	4163-S0204301	CONNECTOR W/W, 4 PIN
845	R708	5130-R030J681	RES,CBN 1/2P 680	817	JL701	4242-R0105101	JUMPER LEAD, 5 WIRE
836	R709	5130-R030J105	RES,CBN 1/2P 1M	848	RCV701	6143-00804	RECEIV UNIT, REMOTE SENSOR
837	R710	5130-R030J101	RES,CBN 1/2P 100	851	SW702	4437-01301	SWITCH,PU-TC, AUX 2
838	R711	5130-R030J103	RES,CBN 1/2P 10K	851	SW703	4437-01301	SWITCH,PU-TC, AUX
835	R712	5130-R030J471	RES,CBN 1/2P 470	851	SW704	4437-01301	SWITCH,PU-TC, VIDEO
839	R713	5130-R030J102	RES,CBN 1/2P 1K	851	SW705	4437-01301	SWITCH,PU-TC, TUNER
840	△ R714	5102-4R75116	RES,FUSE 4.7	851	SW706	4437-01301	SWITCH,PU-TC, CD
841	R715	5130-R030J392	RES,CBN 1/2P 3.9K	851	SW707	4437-01301	SWITCH,PU-TC, TAPE 2
835	R717	5130-R030J471	RES,CBN 1/2P 470	851	SW708	4437-01301	SWITCH,PU-TC, TAPE 1
835	R718	5130-R030J471	RES,CBN 1/2P 470	851	SW712	4437-01301	SWITCH,PU-TC, AUX 2
838	R723	5130-R030J103	RES,CBN 1/2P 10K	851	SW713	4437-01301	SWITCH,PU-TC, AUX
843	R725	5130-R030J104	RES,CBN 1/2P 100K	851	SW714	4437-01301	SWITCH,PU-TC, VIDEO
837	R726	5130-R030J101	RES,CBN 1/2P 100	851	SW715	4437-01301	SWITCH,PU-TC, TUNER
				852	SW716	4437-01301	SWITCH,PU-TC, CD
				852	SW717	4437-01301	SWITCH,PU-TC, TAPE 2
				852	SW718	4437-01301	SWITCH,PU-TC, TAPE 1

Ser. No.	Ref. No.	Part No.	Description
<b>PCB-14 VOLUME LED P.C. BOARD</b>			
<b>CAPACITOR</b>			
814	C708	5345-S35BM106	CAP,MINI ELE 10μ/10V
<b>DIODE</b>			
819	D701	5637-SLR33MC3	LED, VOLUME
<b>MISCELLANEOUS</b>			
896	CW703	4163-01524002	CONNECTOR W/W, 2 PIN

<b>PCB-15 POWER LED P.C. BOARD</b>			
<b>CAPACITORS</b>			
815	C710	5345-S35BM106	CAP,MINI ELE 10μ/10V
815	C711	5345-S35BM106	CAP,MINI ELE 10μ/10V
<b>DIODES</b>			
822	D709	5637-S2410E1A	LED, POWER
822	D710	5637-S2410E1A	LED, POWER
<b>MISCELLANEOUS</b>			
849	SW701	4437-00704	SWITCH,PU-TC, POWER

<b>CHASSIS MISCELLANEOUS</b>			
858	LUG2	4211-4	LUG, W-412
707	△ PG1	4161-71150	CORD W/PLUG
946	PCB-6	4551-10036080	PC BOARD, PRIMARY
694	△ T2	5584-T4305	XFORMER, POWER

<b>PACKING PARTS LIST</b>		
021A	1756-23601	LABEL, (I)CARTON ①
108	1111-1640J152	OWNER GUIDE
116	1756-03108	LABEL, (I)CARTON (X2)
120	1241-R0165751	POLYETHY BAG, SET
121	1241-R0123351	POLYETHY BAG, IB
122	1223-R0425035	SOFT SHEET, AC CORD
123	1221-31401	CARTON BOX, ACCESSORY
124	1221-35801	CARTON BOX, SET
125	1222-7412	CUSHION, REAR PAD (x3)
126	1222-7225	CUSHION, L
127	1222-7226	CUSHION, R
128	1223-R0420055	SOFT SHEET, SET FRONT
923	4191-0355	BATTERY, DRY
924	4161-08201102	CORD W/PLUG, REMOTE IN/OUT (x3)
925	6142-08101	CONT BLOCK, REMOTE CONTROL

**ABBREVIATIONS IN PARTS LIST**

**CAPACITORS**

CAP, MINI ELE : Electrolytic  
 CAP, CER : Ceramic  
 CAP, PPP : Polypropylene  
 CAP, MYL : Mylar  
 CAP, MCA : Mica  
 470μ : 470μF  
 6800P : 6800pF  
 .047μ : 0.047μF

**RESISTORS**

RES, CBN 1/6P : Carbon 1/6W  
 2.2K : 2.2kΩ  
 220 : 220Ω  
 RES, FUSE : Fuse  
 RES, CEM 5P : Cement 5W  
 RES, MTL 1P : Metal 1W


**TRANSISTORS**

XISTOR : Transistor  
 FET : Field Effect Transistor

**CONTROLS**

RES, V CBN : Variable Carbon Resistor  
 RES, SEMI FIX : Semi - fixed Resistors

**NOTE:**

 SAFETY RELATED COMPONENT. USE ONLY EXACT REPLACEMENT PART AS SPECIFIED.

SCHMATIC DIAGRAM (1)

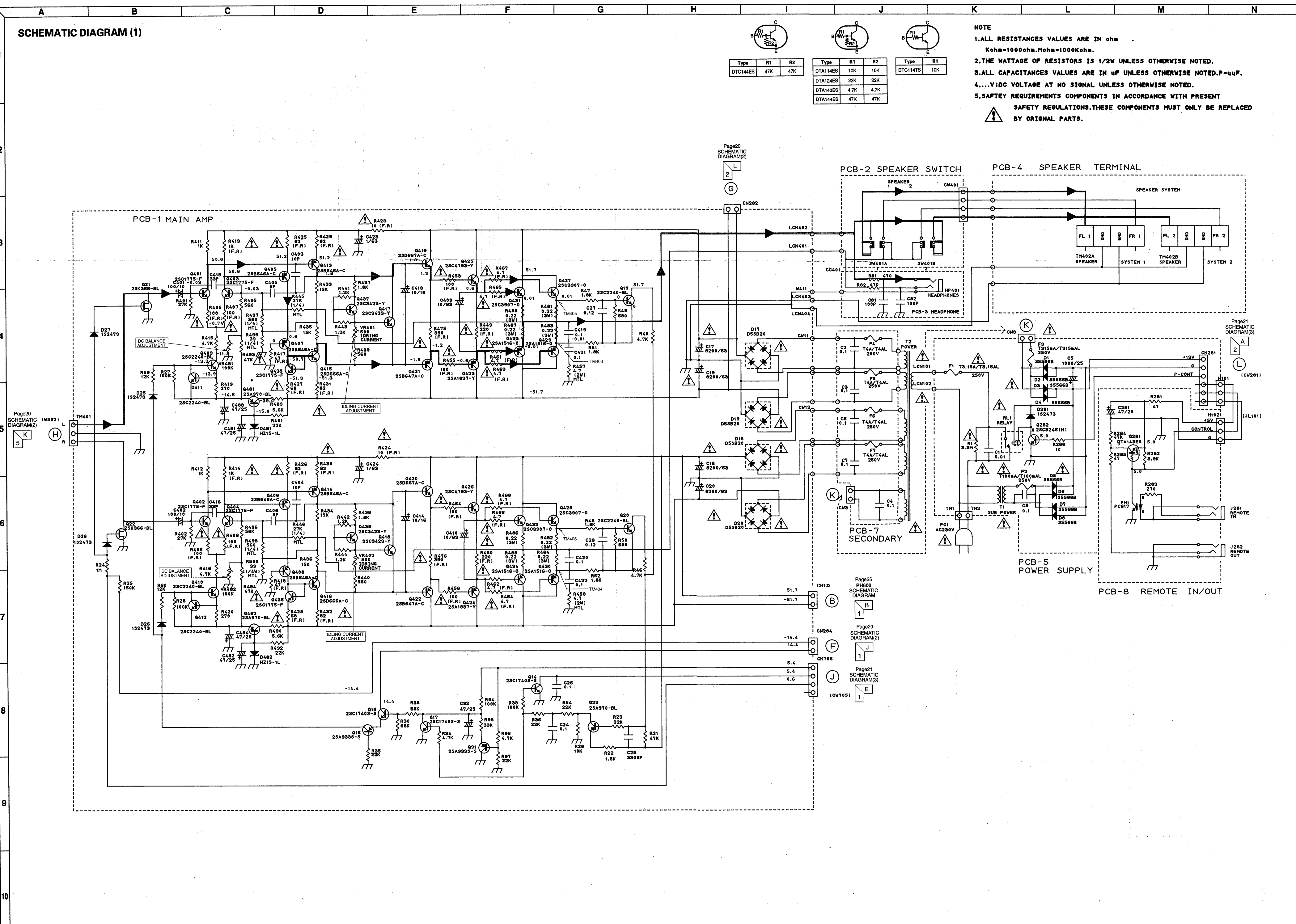
Type	R1	R2
DTC144ES	47K	47K

Type	R1	R2
DTA114ES	10K	10K
DTA124ES	22K	22K
DTA143ES	4.7K	4.7K
DTA144ES	47K	47K

Type	R1
DTC114TS	10K

NOTE

1. ALL RESISTANCES VALUES ARE IN ohm  
Kohm=1000ohm, Mohm=1000Kohm.
2. THE WATTAGE OF RESISTORS IS 1/2W UNLESS OTHERWISE NOTED.
3. ALL CAPACITANCES VALUES ARE IN uF UNLESS OTHERWISE NOTED. P=uuf.
4. ...V:DC VOLTAGE AT NO SIGNAL UNLESS OTHERWISE NOTED.
5. SAFETY REQUIREMENTS COMPONENTS IN ACCORDANCE WITH PRESENT SAFETY REGULATIONS. THESE COMPONENTS MUST ONLY BE REPLACED BY ORIGINAL PARTS.



Page20 SCHEMATIC DIAGRAM(2)

Page20 SCHEMATIC DIAGRAM(2)

Page21 SCHEMATIC DIAGRAM(3)

Page25 PH600 SCHEMATIC DIAGRAM

Page20 SCHEMATIC DIAGRAM(2)

Page21 SCHEMATIC DIAGRAM(3)





4

5

6

7

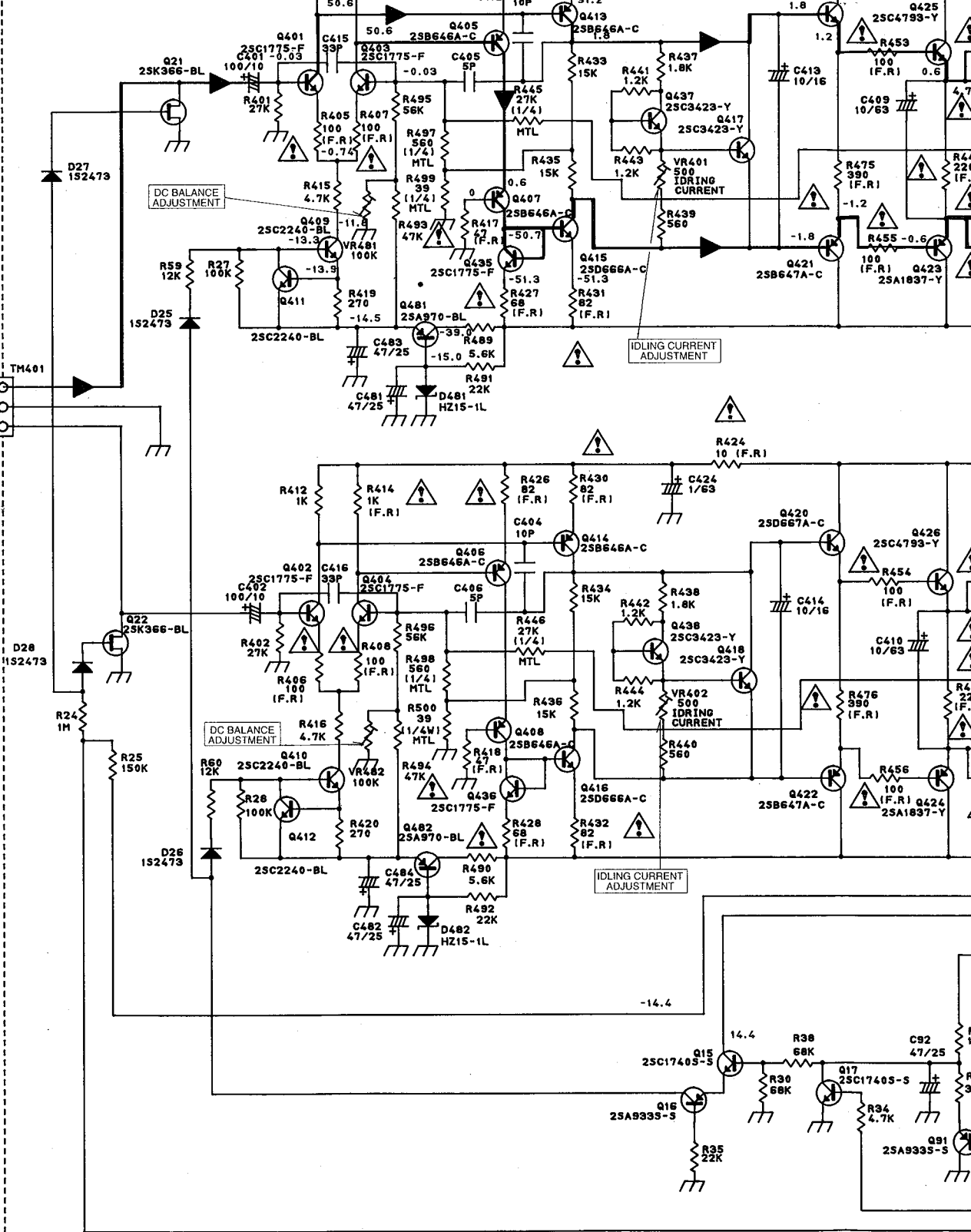
8

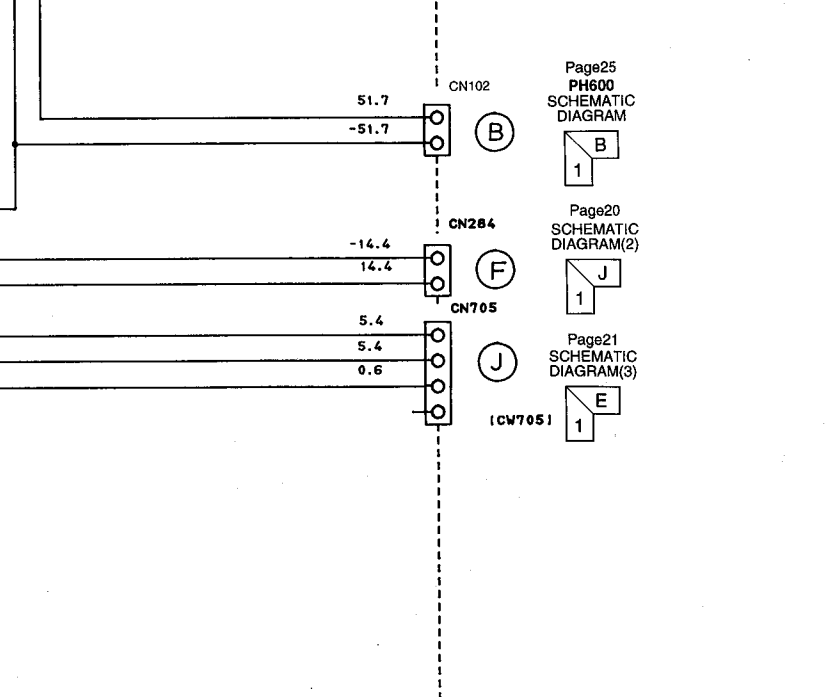
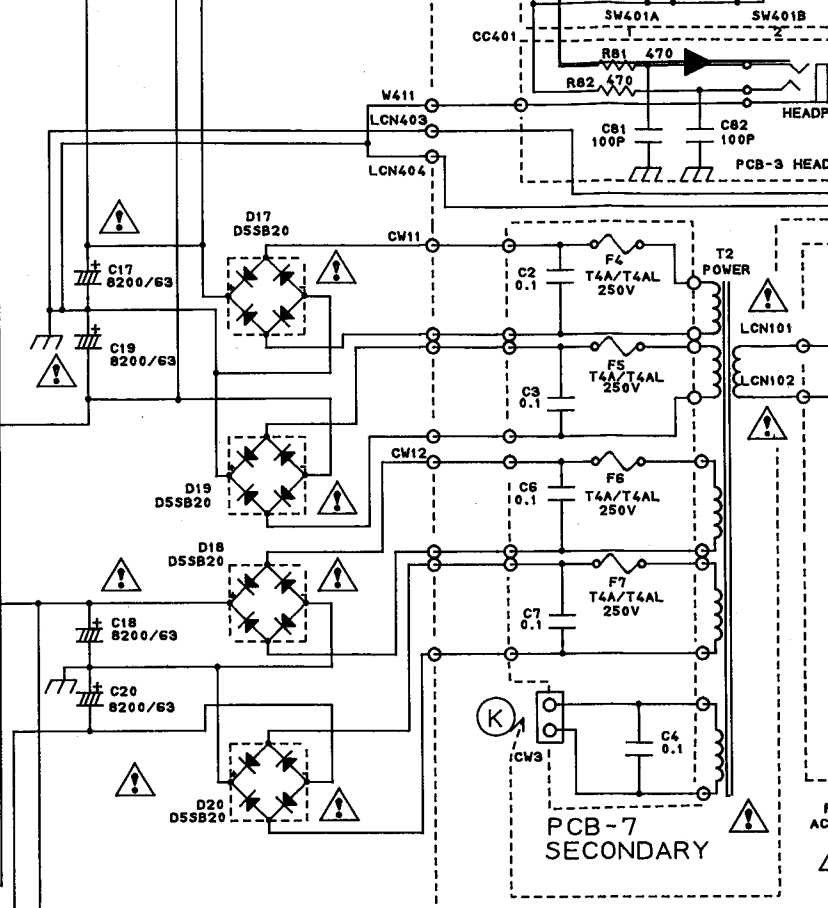
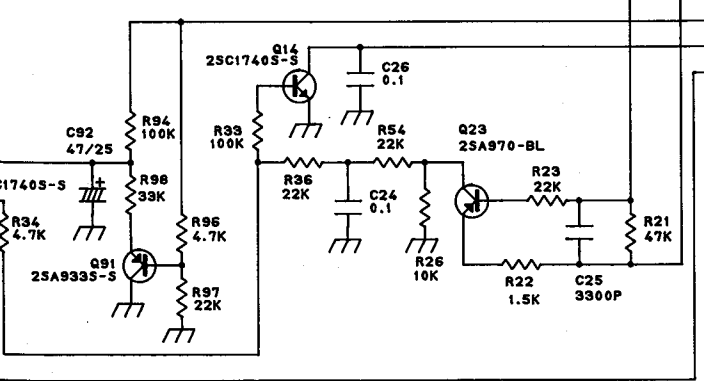
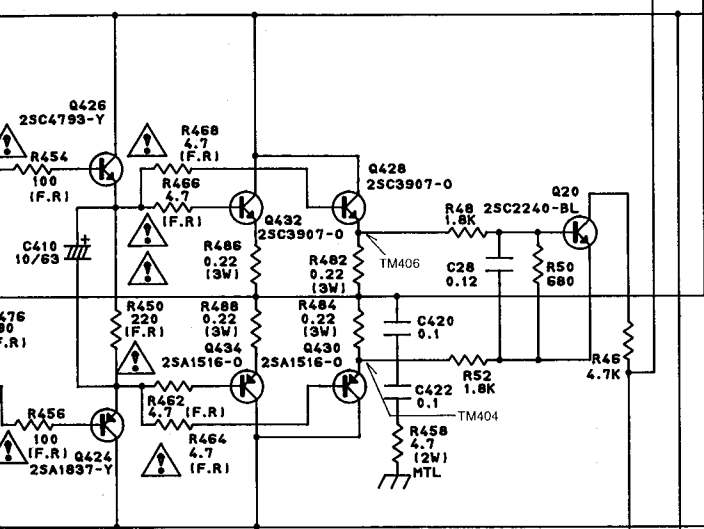
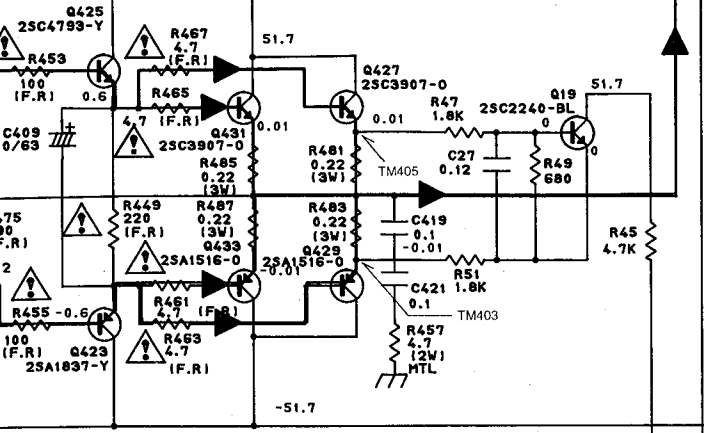
9

10

Page 20  
SCHEMATIC  
DIAGRAM (2)

(W502)

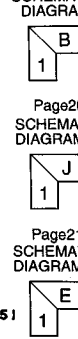


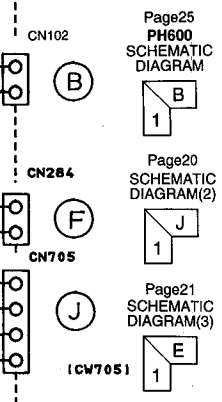
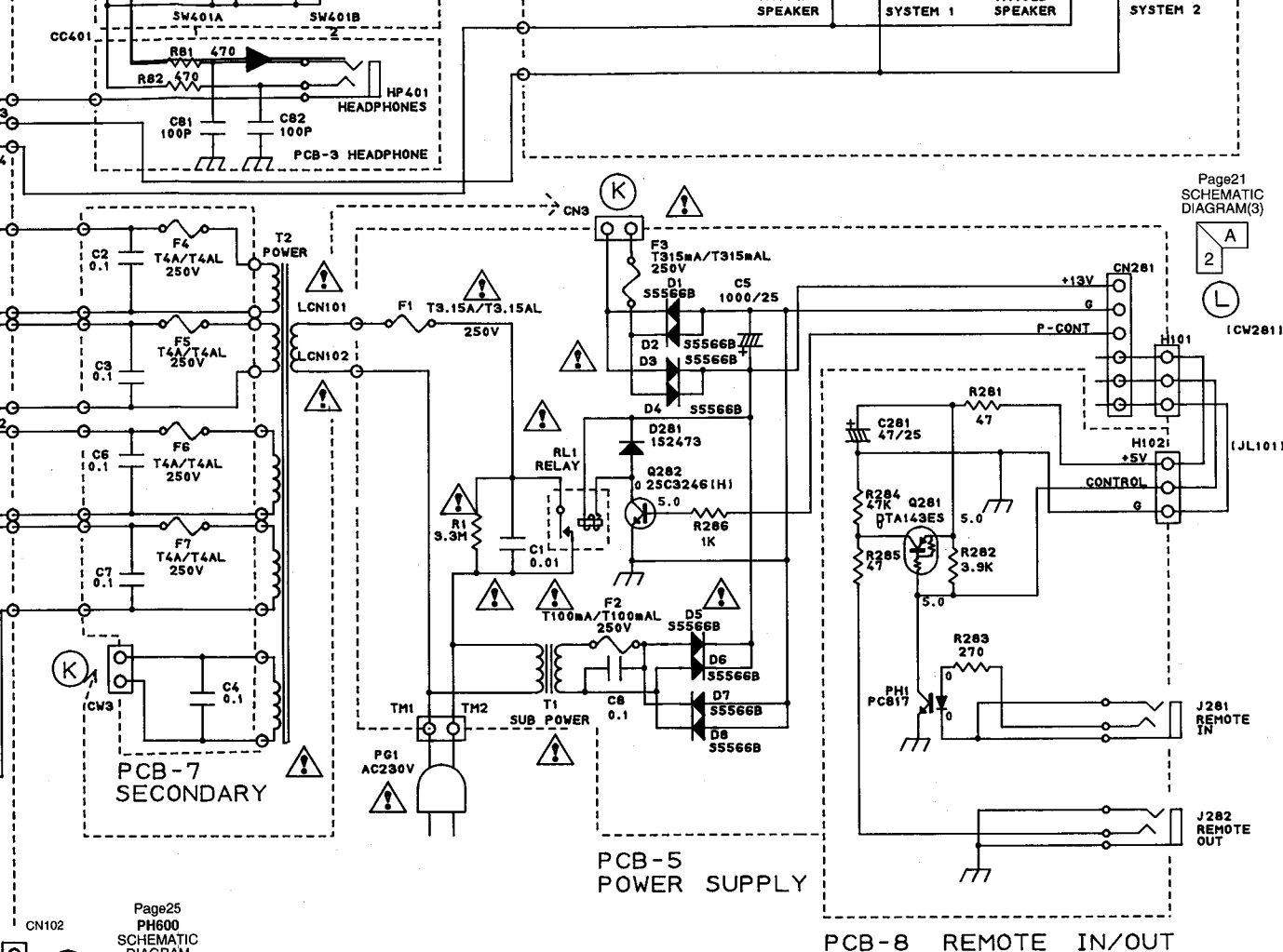


Page25  
PH600  
SCHEMATIC  
DIAGRAM

Page20  
SCHEMATIC  
DIAGRAM(2)

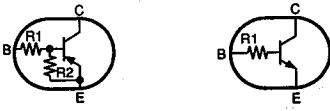
Page21  
SCHEMATIC  
DIAGRAM(3)







J K L M N



Type	R1	R2
DTA114ES	10K	10K
DTA124ES	22K	22K
DTA143ES	4.7K	4.7K
DTA144ES	47K	47K

Type	R1
DTC114TS	10K

**NOTE**

1. ALL RESISTANCES VALUES ARE IN ohm

Kohm=1000ohm. Mohm=1000Kohm.

2. THE WATTAGE OF RESISTORS IS 1/2W UNLESS OTHERWISE NOTED.

3. ALL CAPACITANCES VALUES ARE IN uF UNLESS OTHERWISE NOTED. P=uuF.

4. ....V:DC VOLTAGE AT NO SIGNAL UNLESS OTHERWISE NOTED.

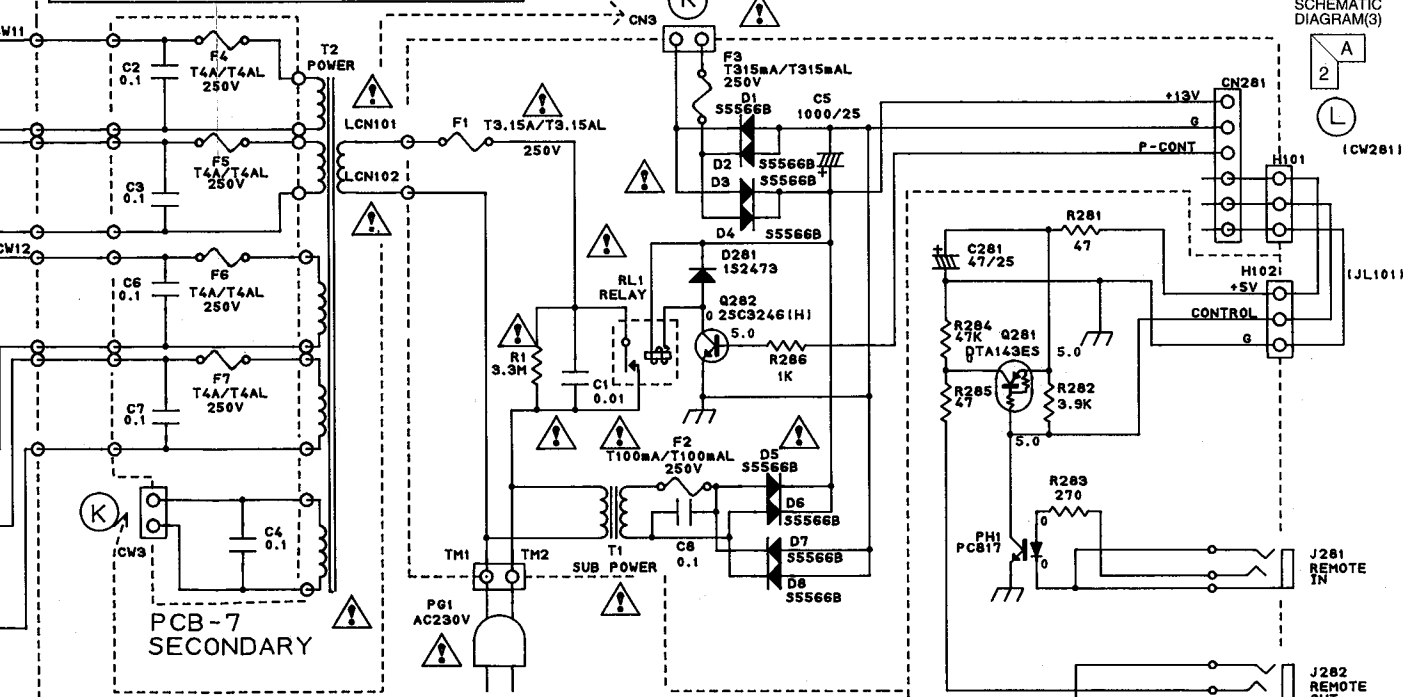
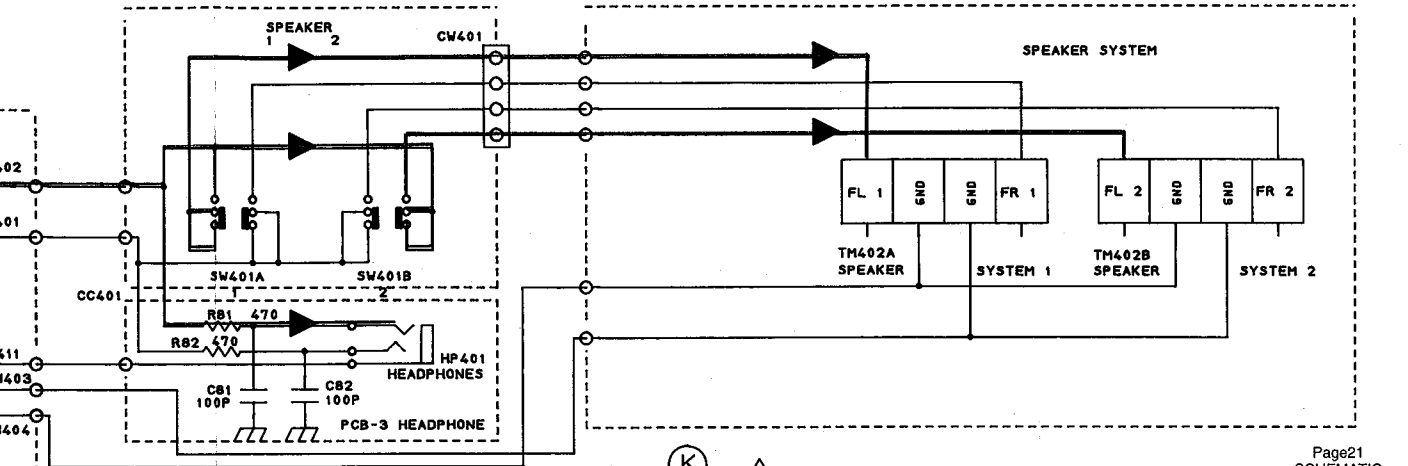
5. SAFETY REQUIREMENTS COMPONENTS IN ACCORDANCE WITH PRESENT

SAFETY REGULATIONS. THESE COMPONENTS MUST ONLY BE REPLACED BY ORIGINAL PARTS.

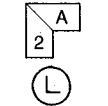


PCB-2 SPEAKER SWITCH

PCB-4 SPEAKER TERMINAL



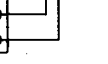
Page21 SCHEMATIC DIAGRAM(3)



(CW281)



(JL101)



J281 REMOTE IN



J282 REMOTE OUT

PCB-5 POWER SUPPLY

PCB-8 REMOTE IN/OUT

Page25 PH600 SCHEMATIC DIAGRAM

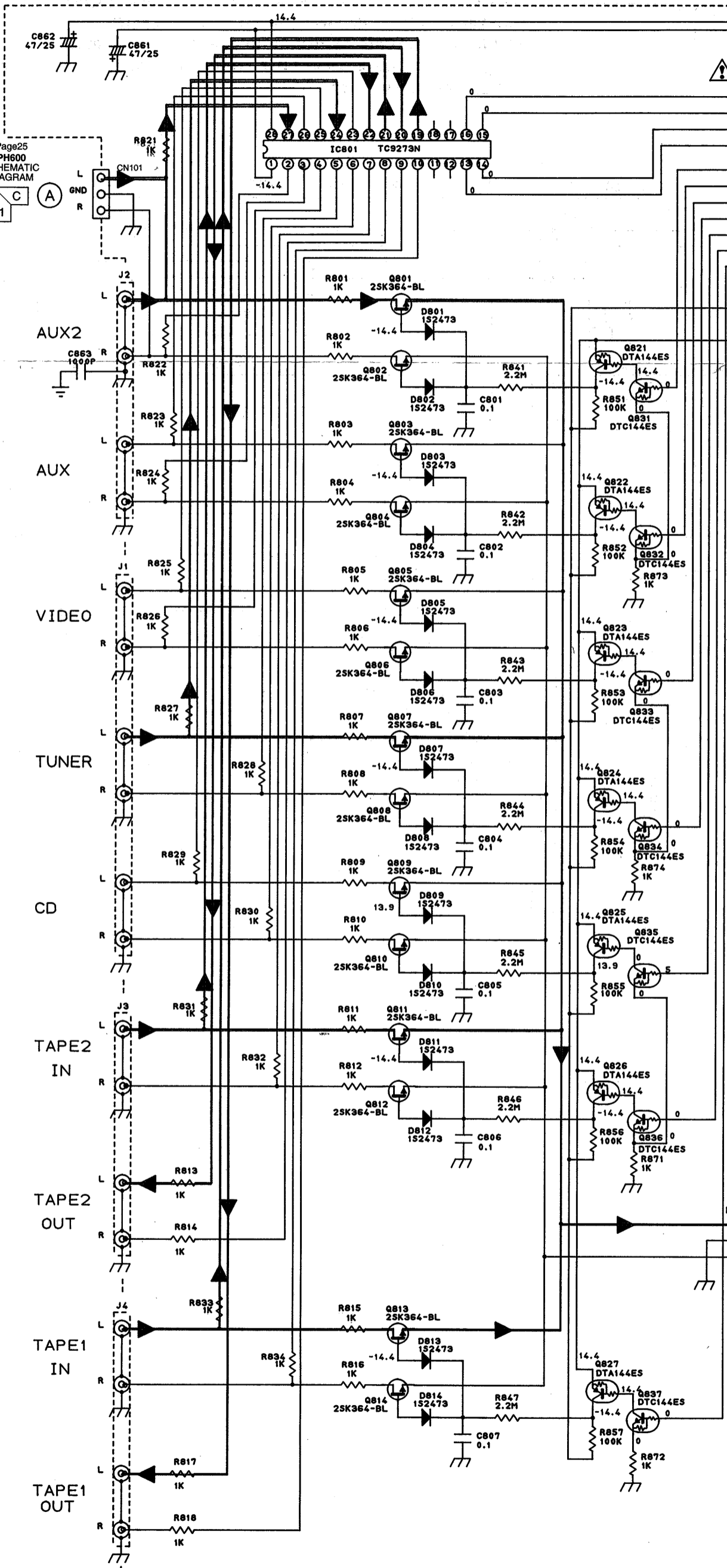


Page20 SCHEMATIC DIAGRAM(2)

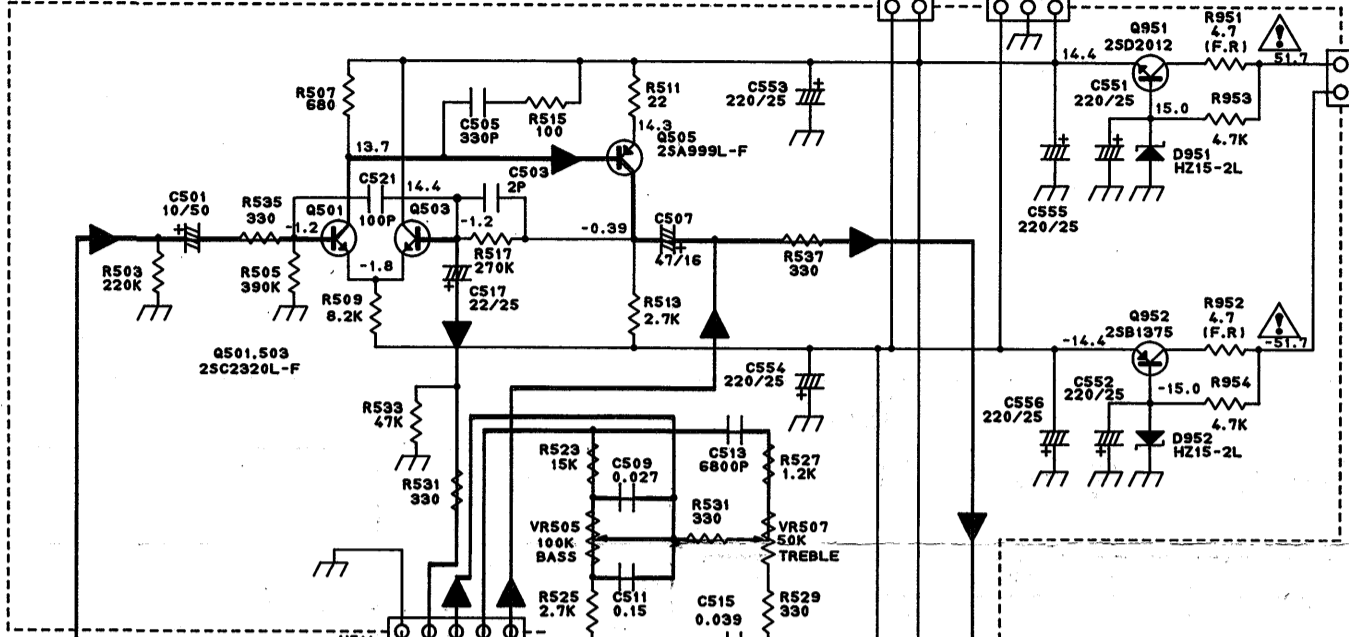


SCHEMATIC DIAGRAM (2)

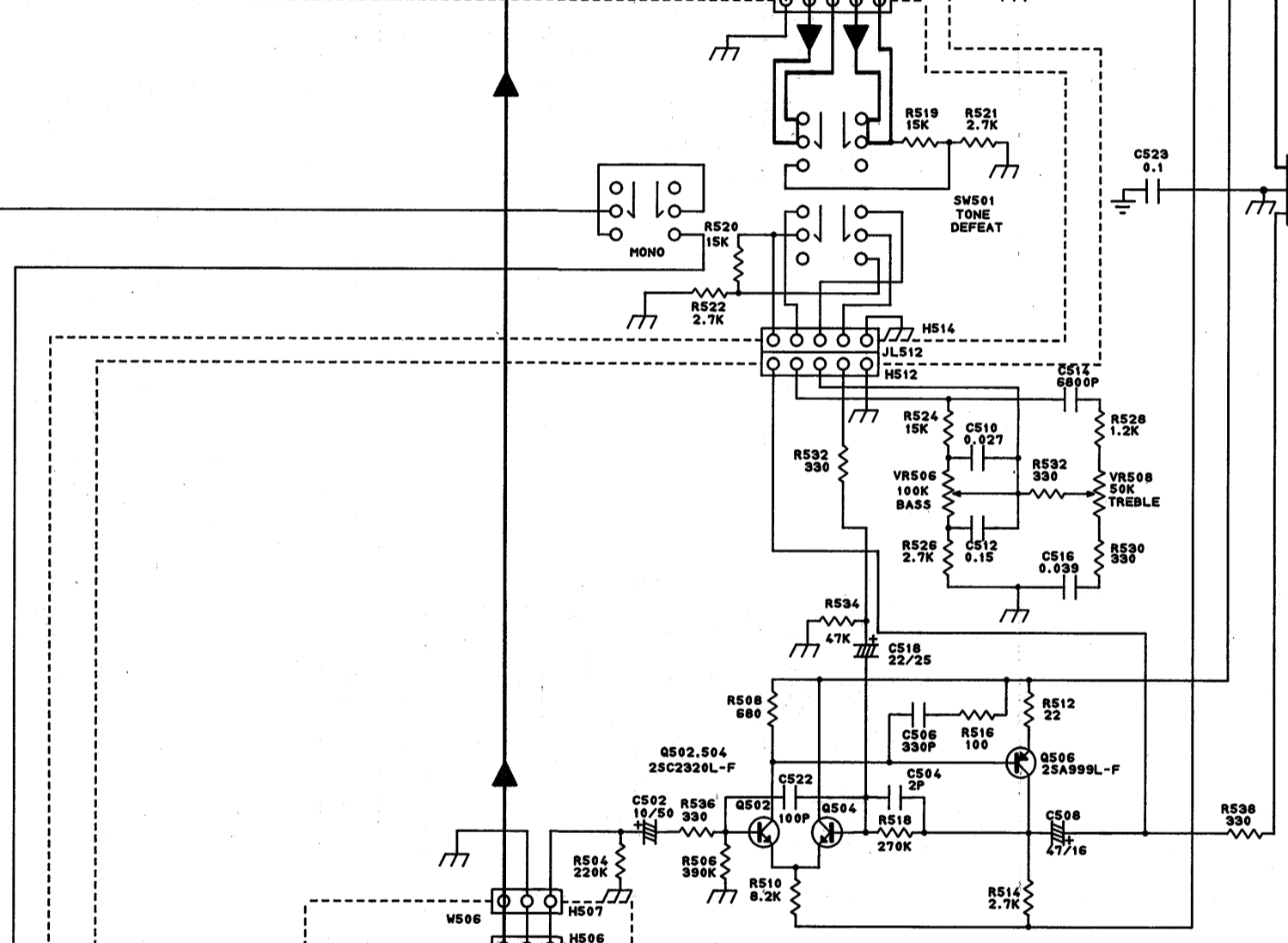
PCB-12 CONTROL



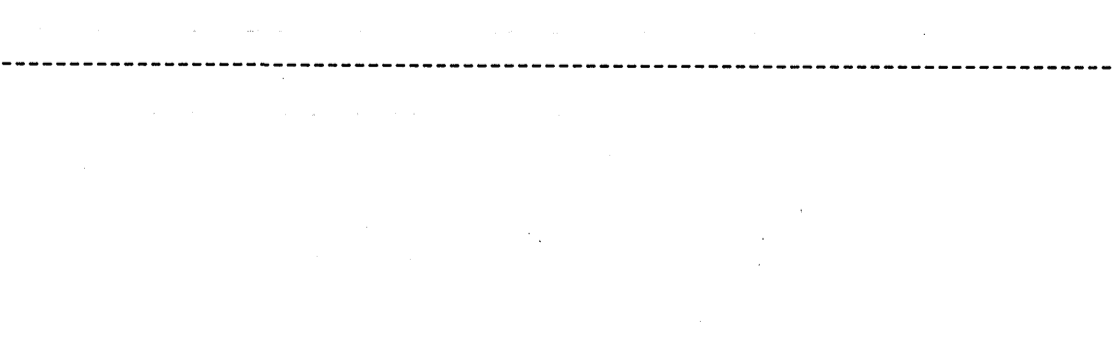
PCB-9 TONE CONTROL



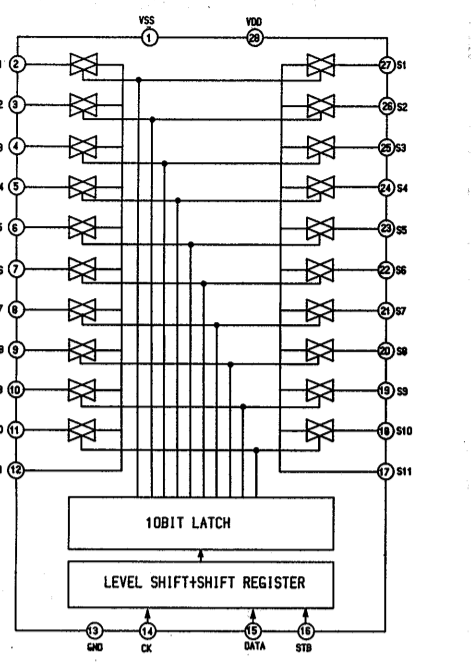
PCB-10 MONO/STEREO SWITCH



PCB-11 VOLUME



IC801 : TC9273N



Page21 SCHEMATIC DIAGRAM(3)

Page21 SCHEMATIC DIAGRAM(3)

Page19 SCHEMATIC DIAGRAM(1)

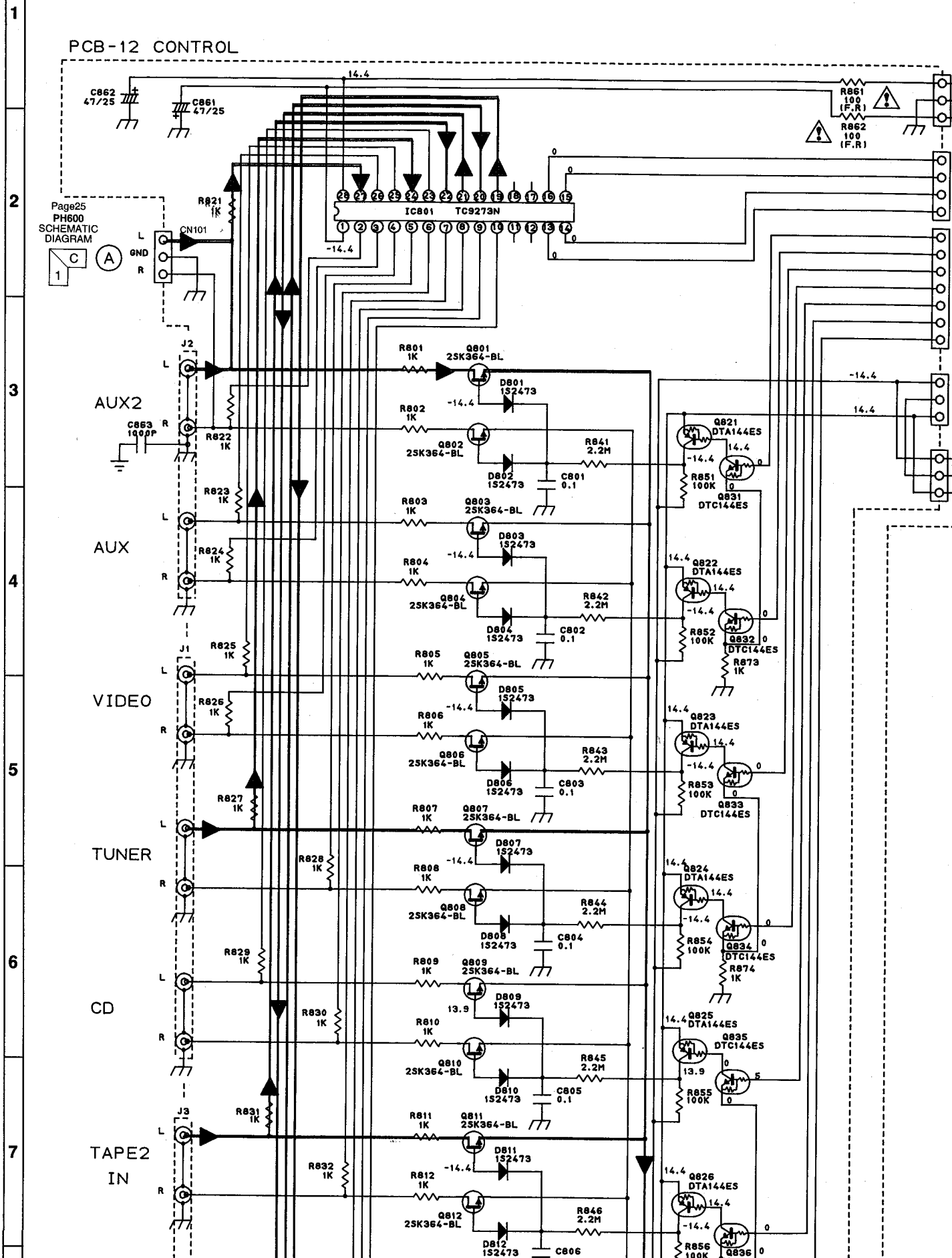
Page19 SCHEMATIC DIAGRAM(1)

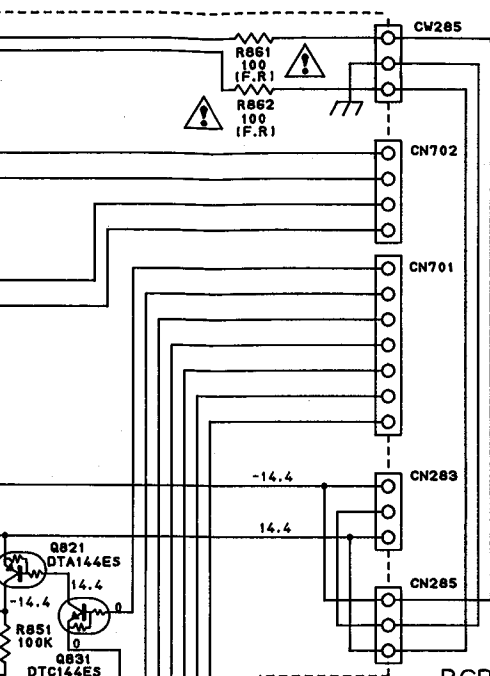
Page19 SCHEMATIC DIAGRAM(1)

Page21 SCHEMATIC DIAGRAM(3)

# SCHEMATIC DIAGRAM (2)

## PCB-12 CONTROL





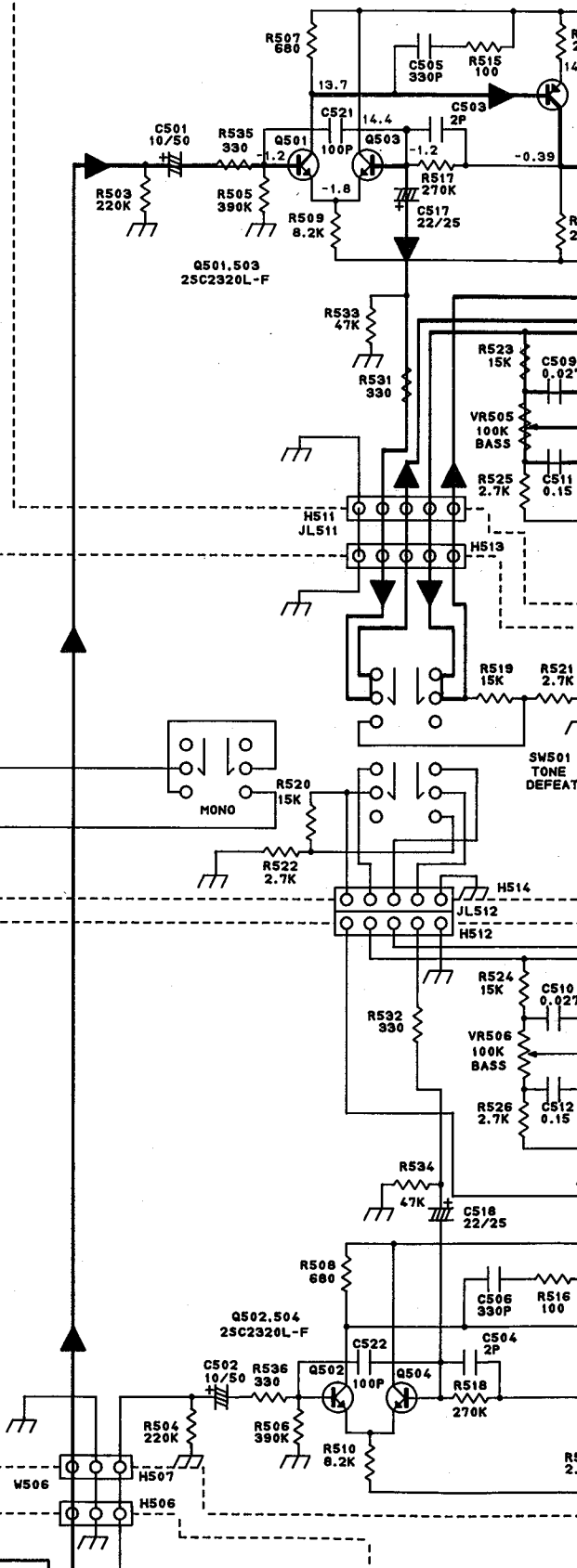
Page21  
SCHEMATIC  
DIAGRAM(3)  
E

Page21  
SCHEMATIC  
DIAGRAM(3)  
F

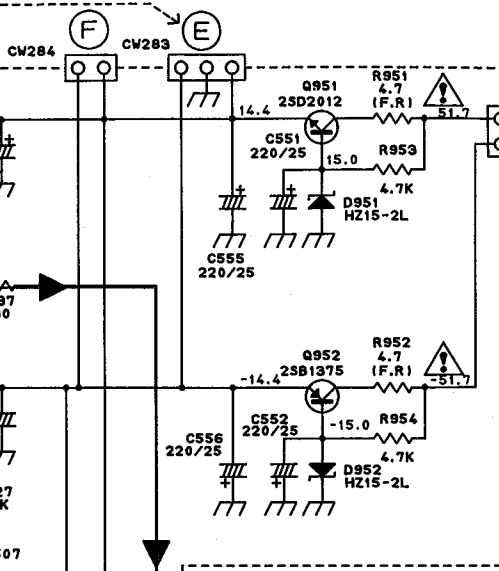
E ←

PCB-10 MONO/STEREO SWITCH

PCB-9 TONE CONTROL



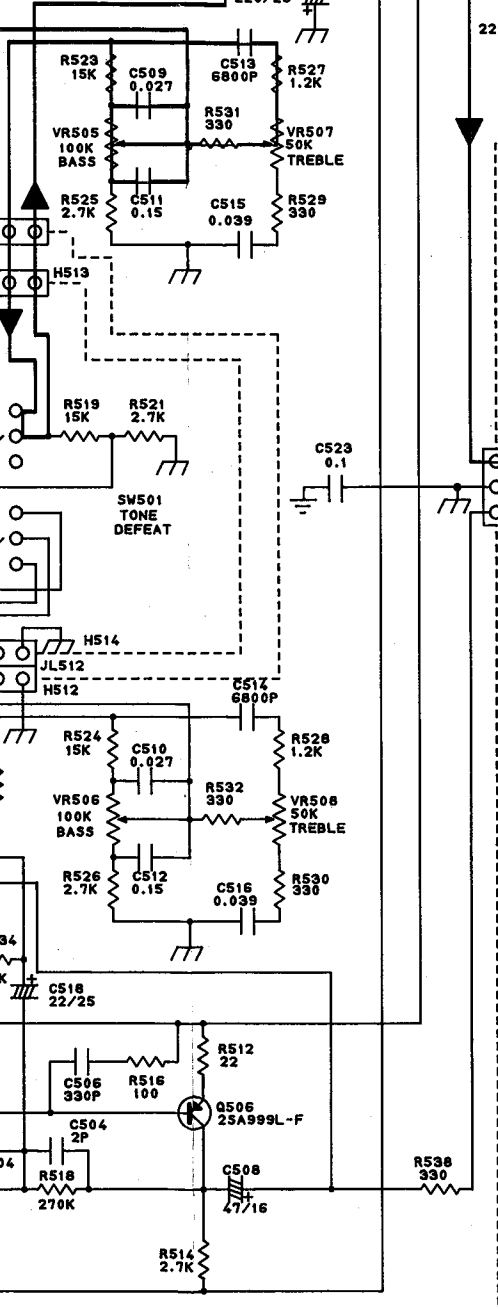
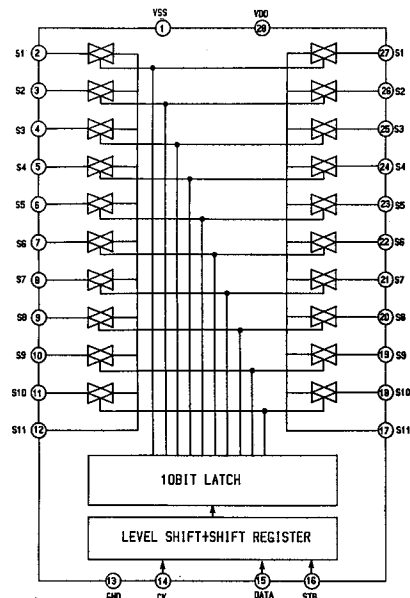
Page19  
SCHEMATIC  
DIAGRAM(1)



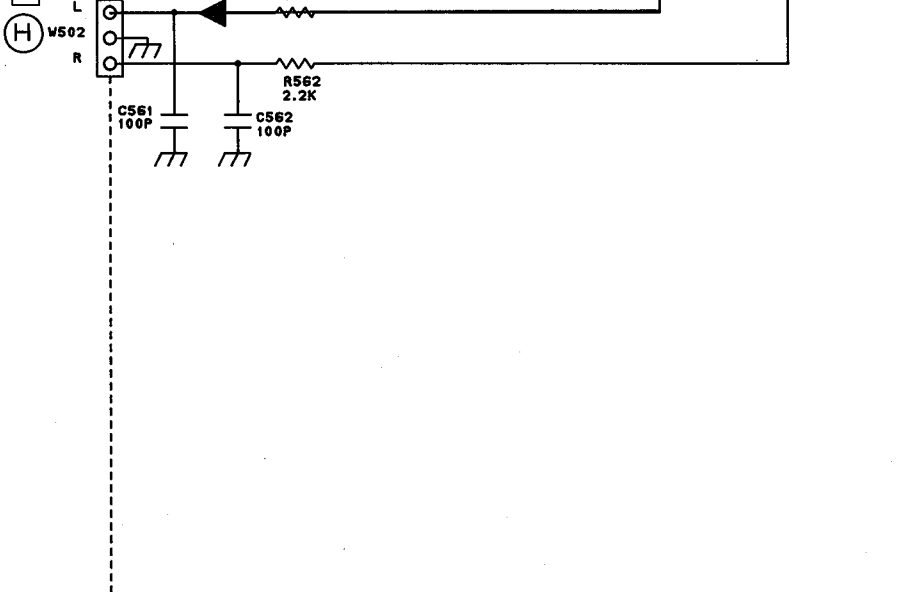
Page19  
SCHEMATIC  
DIAGRAM(1)

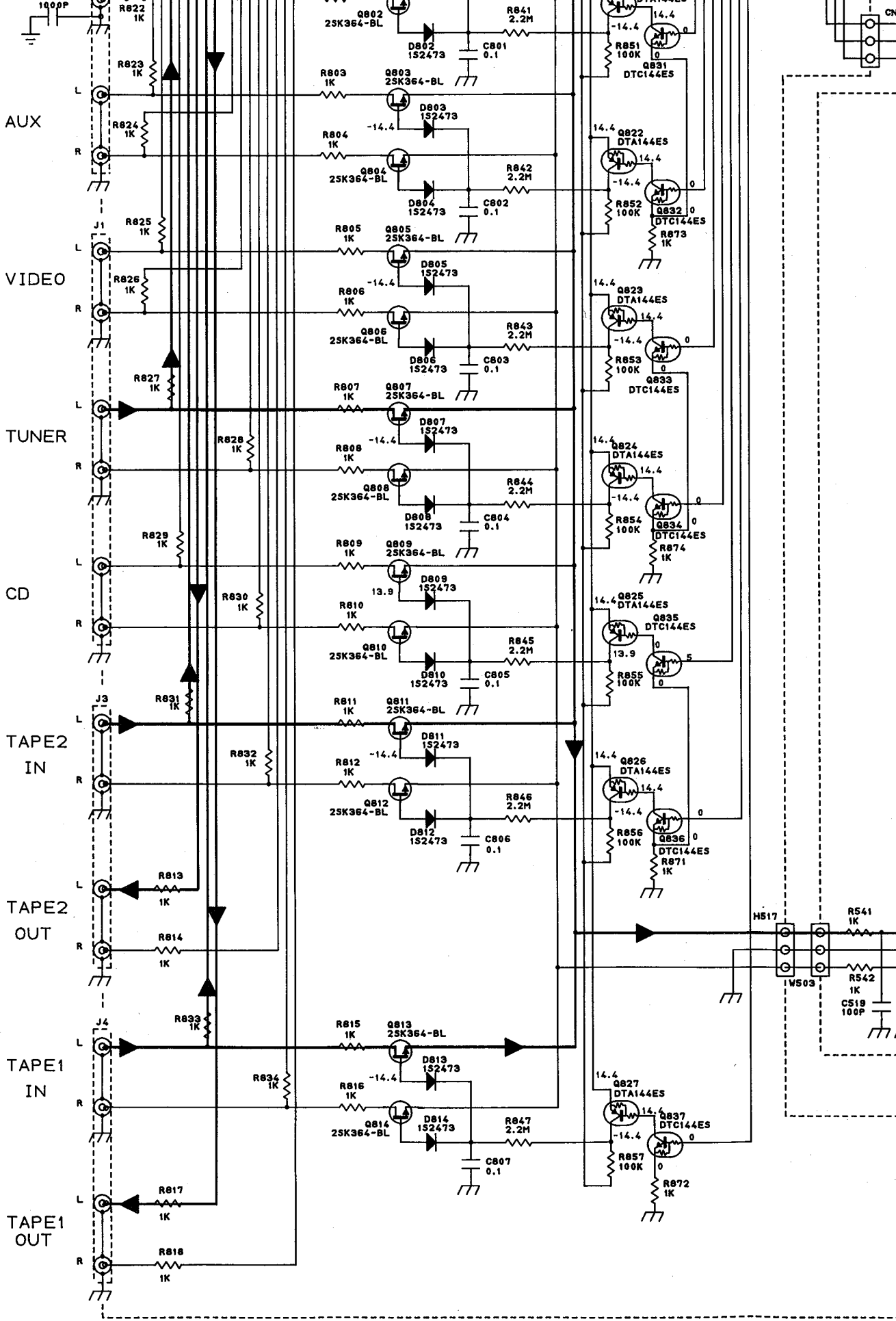


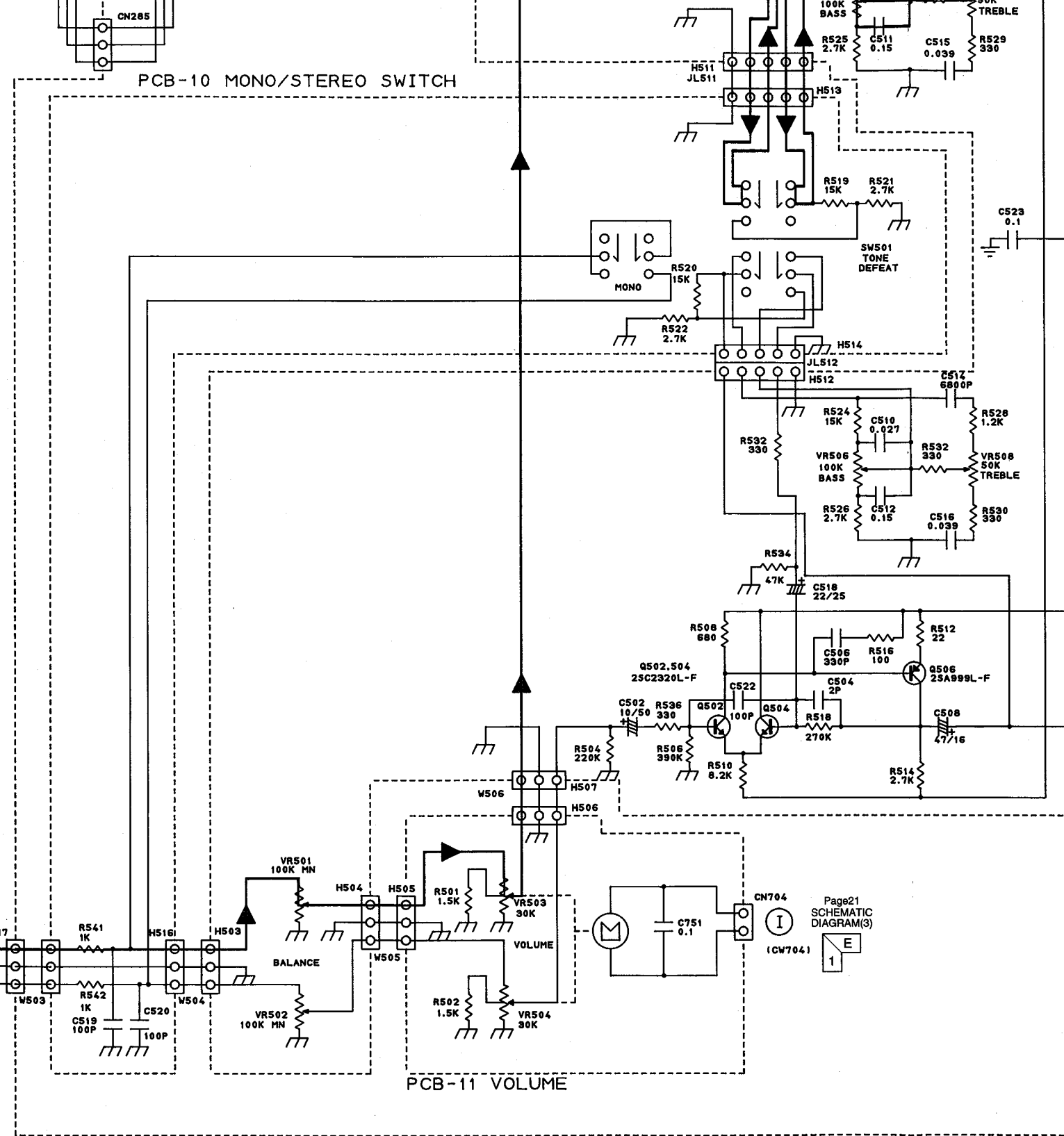
IC801 : TC9273N

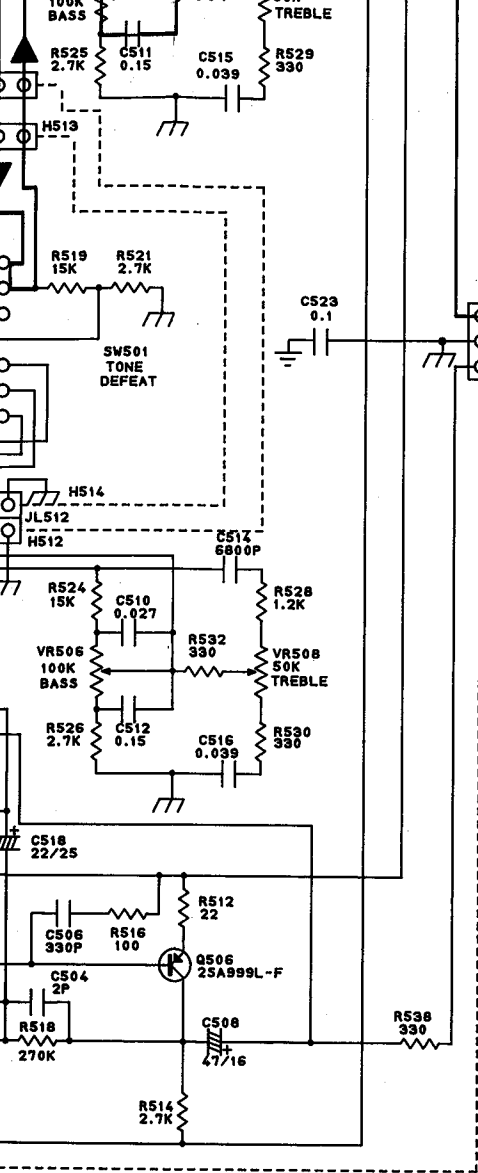


Page19  
SCHEMATIC  
DIAGRAM(1)







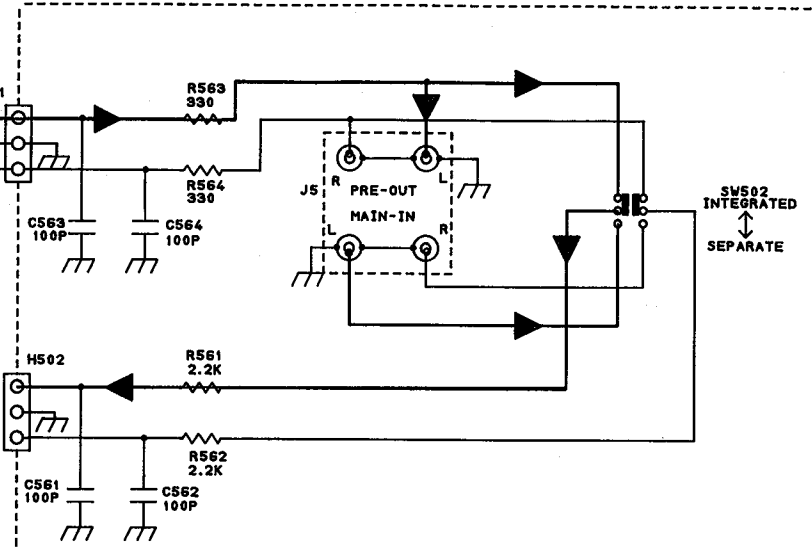


Page19  
SCHEMATIC  
DIAGRAM(1)

A

5

H



Page21  
SCHEMATIC  
DIAGRAM(3)

E

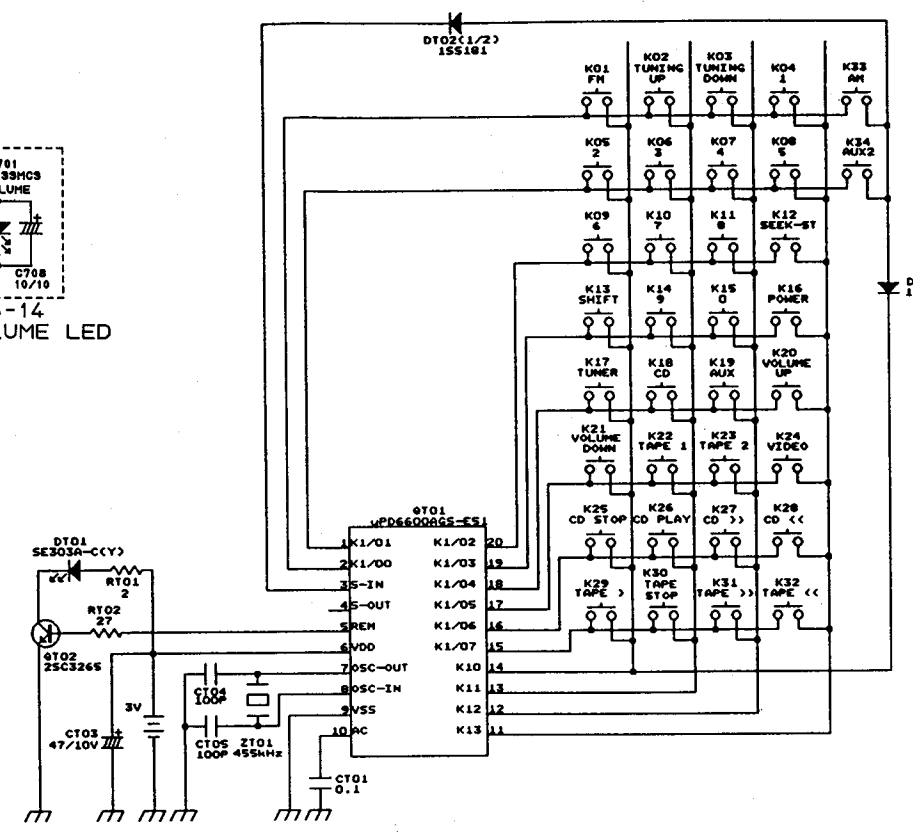
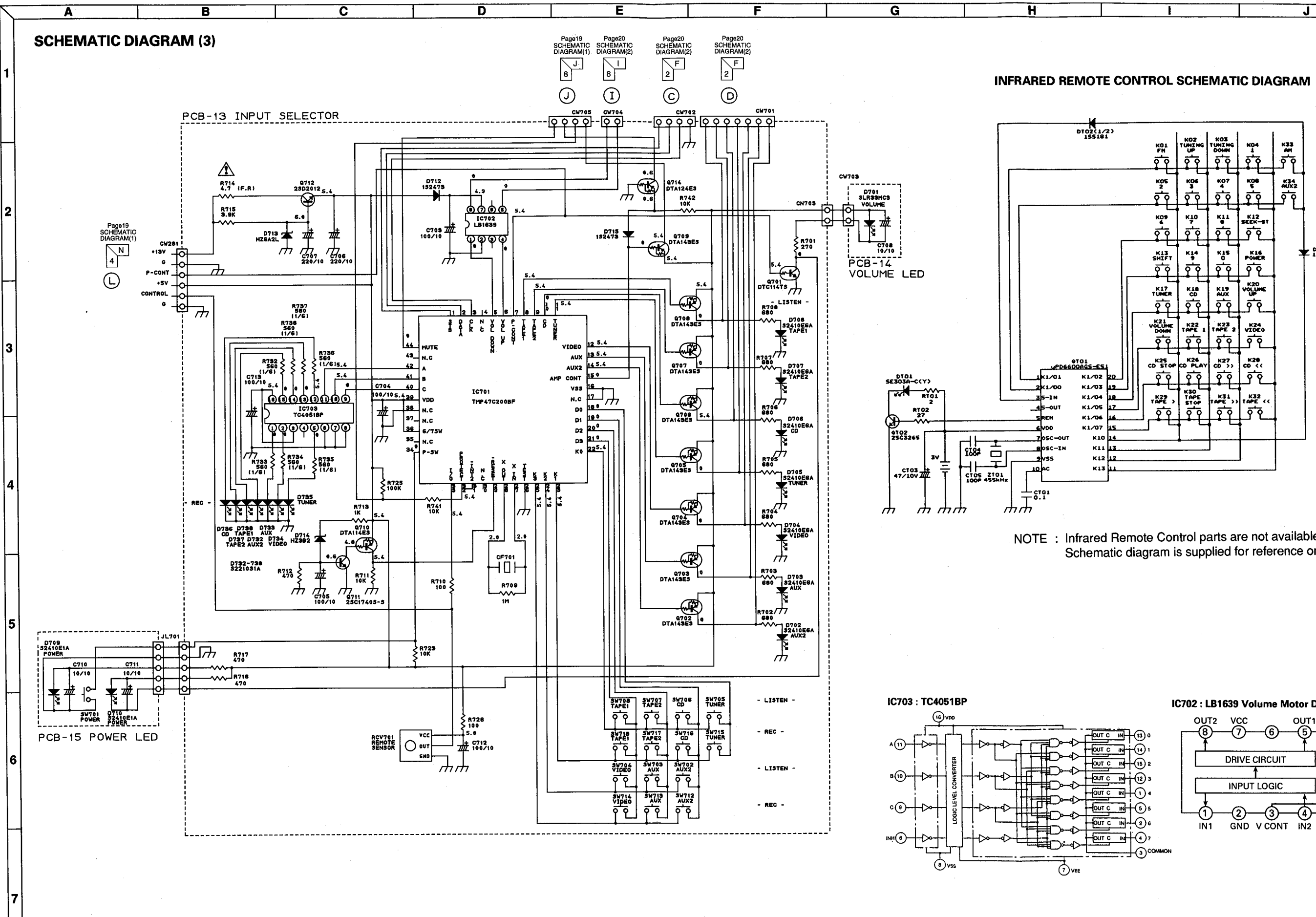
1



SCHEMATIC DIAGRAM (3)

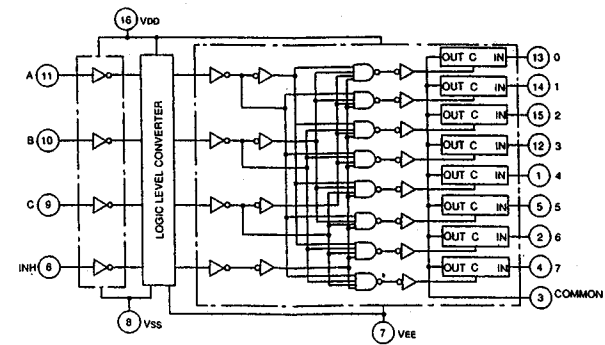
Page19 SCHEMATIC DIAGRAM(1) Page20 SCHEMATIC DIAGRAM(2) Page20 SCHEMATIC DIAGRAM(2) Page20 SCHEMATIC DIAGRAM(2)

INFRARED REMOTE CONTROL SCHEMATIC DIAGRAM

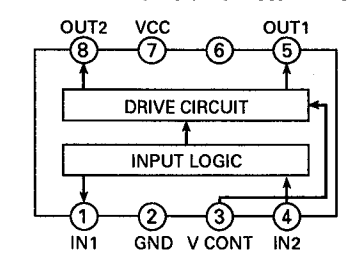


NOTE : Infrared Remote Control parts are not available. Schematic diagram is supplied for reference only.

IC703 : TC4051BP



IC702 : LB1639 Volume Motor Driver

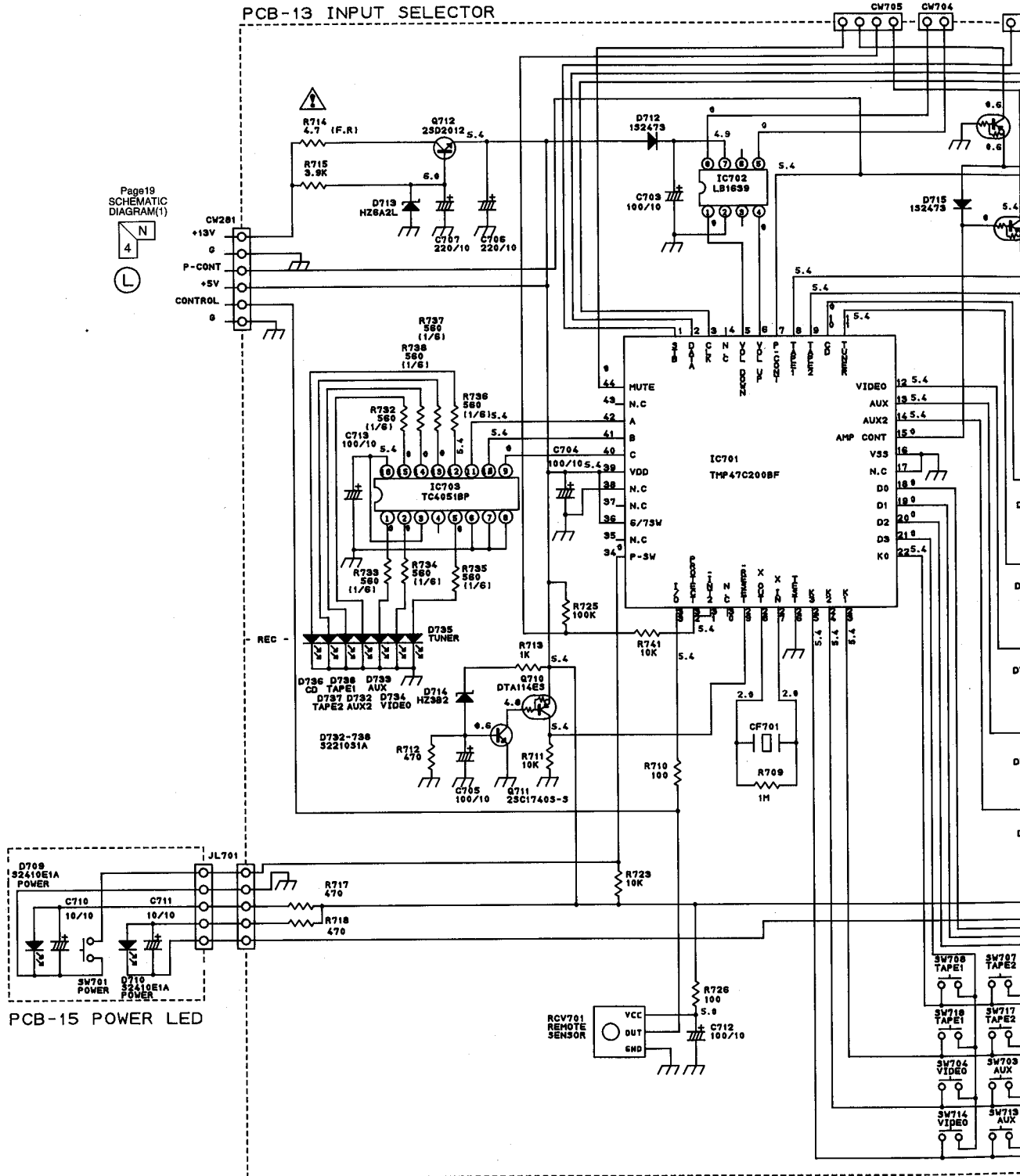


# SCHEMATIC DIAGRAM (3)

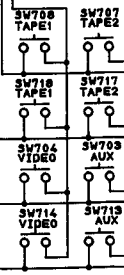
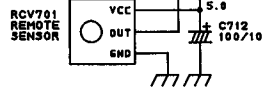
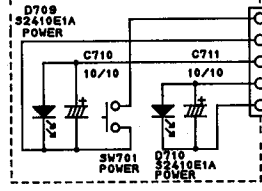
Page19 SCHEMATIC DIAGRAM(1)  
 Page20 SCHEMATIC DIAGRAM(2)

## PCB-13 INPUT SELECTOR

Page19 SCHEMATIC DIAGRAM(1)

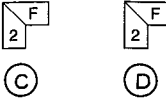


## PCB-15 POWER LED

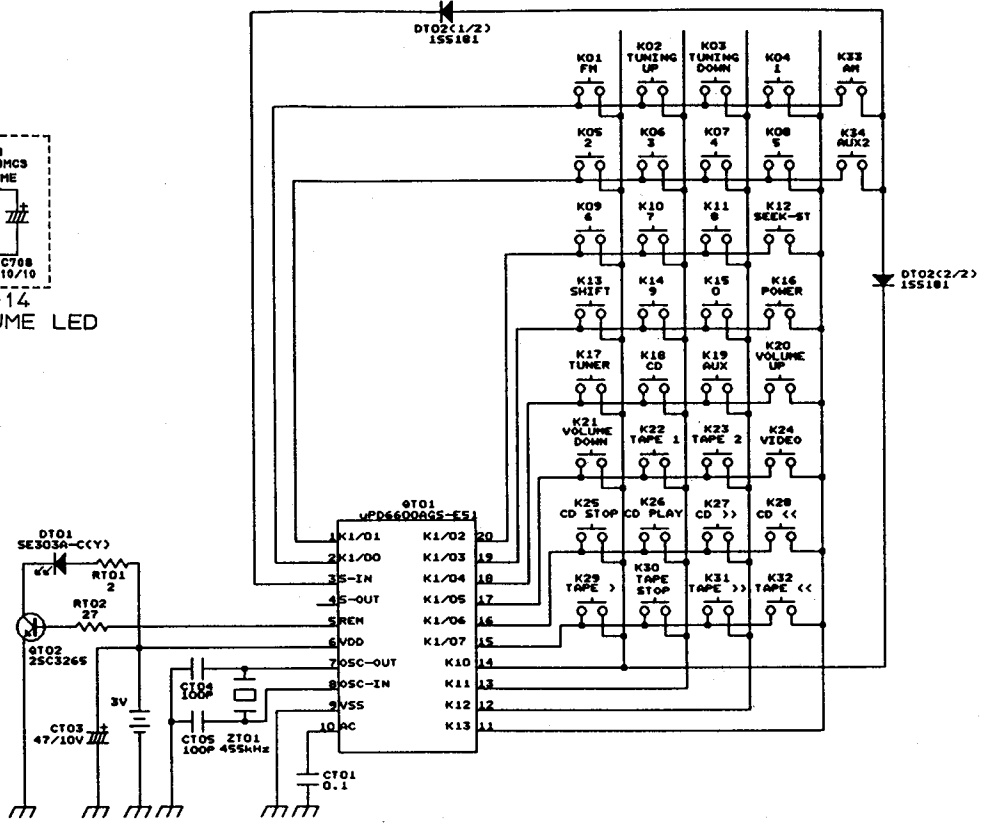
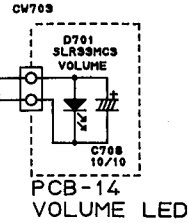
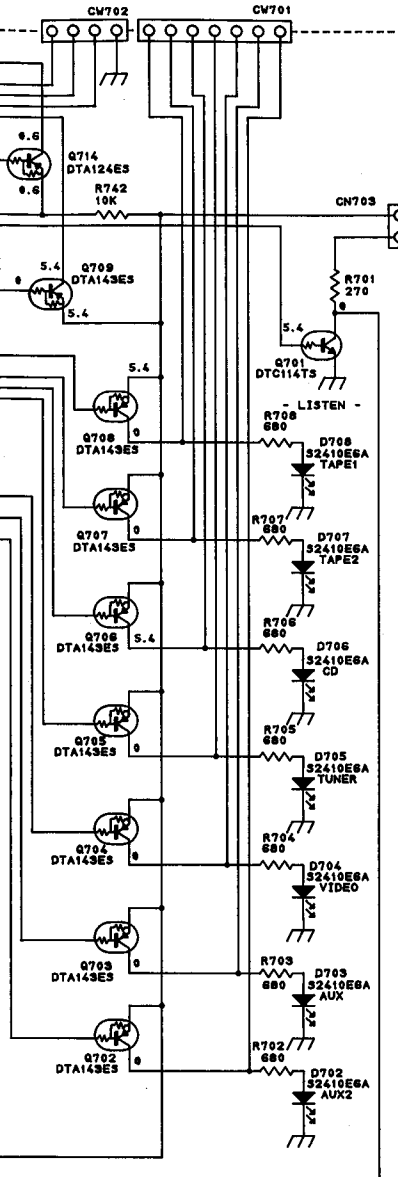


1  
2  
3  
4  
5  
6  
7

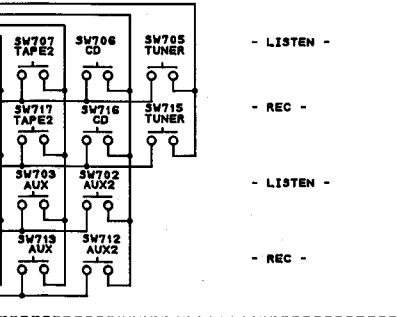
Page20 SCHEMATIC DIAGRAM(2)  
Page20 SCHEMATIC DIAGRAM(2)



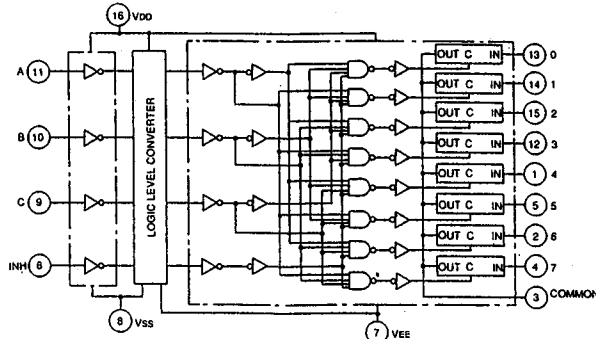
INFRARED REMOTE CONTROL SCHEMATIC DIAGRAM



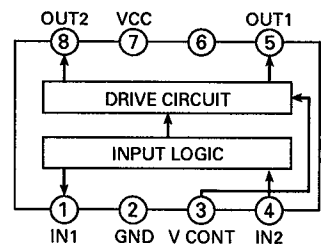
NOTE : Infrared Remote Control parts are not available. Schematic diagram is supplied for reference only.



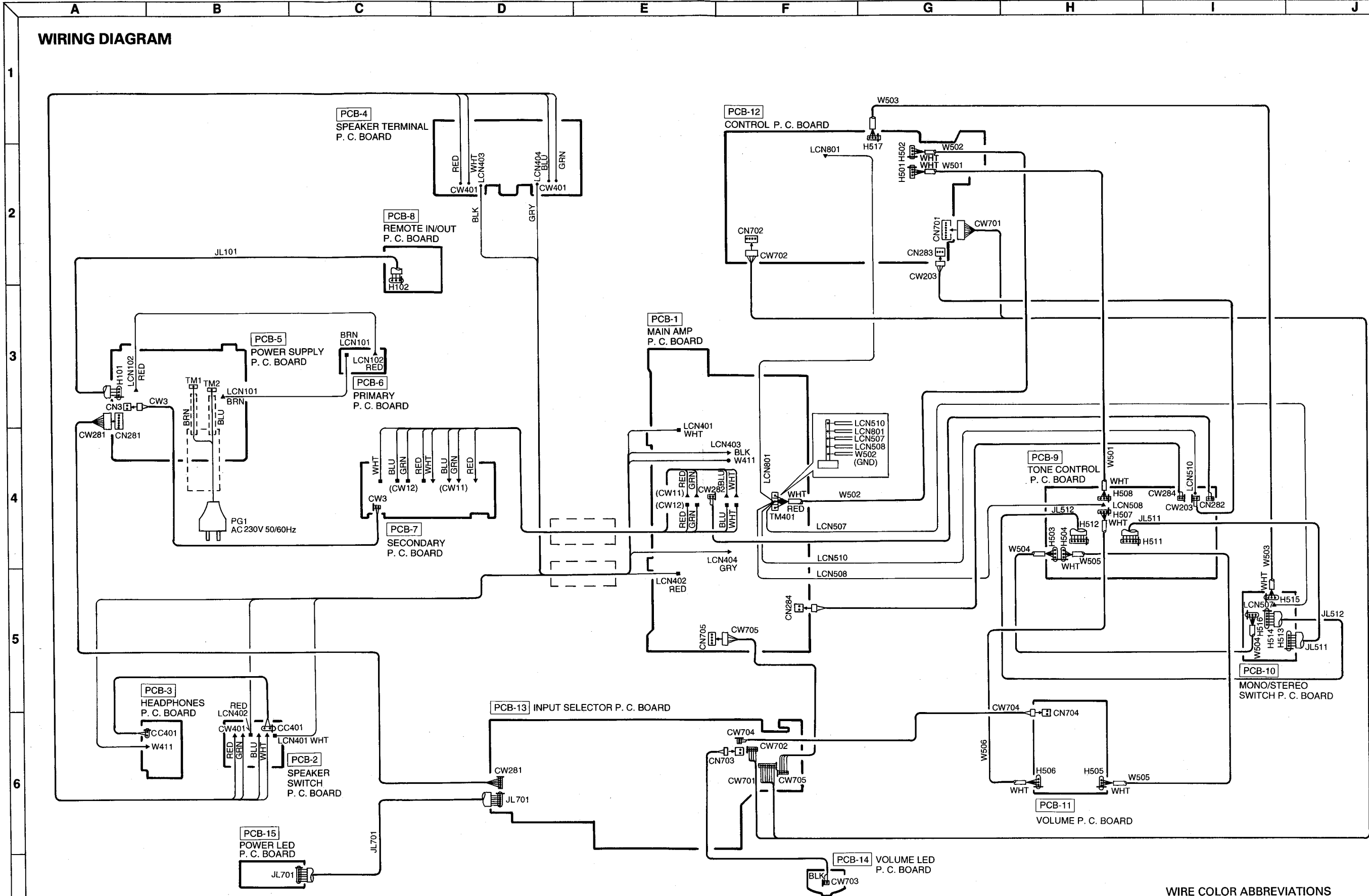
IC703 : TC4051BP



IC702 : LB1639 Volume Motor Driver



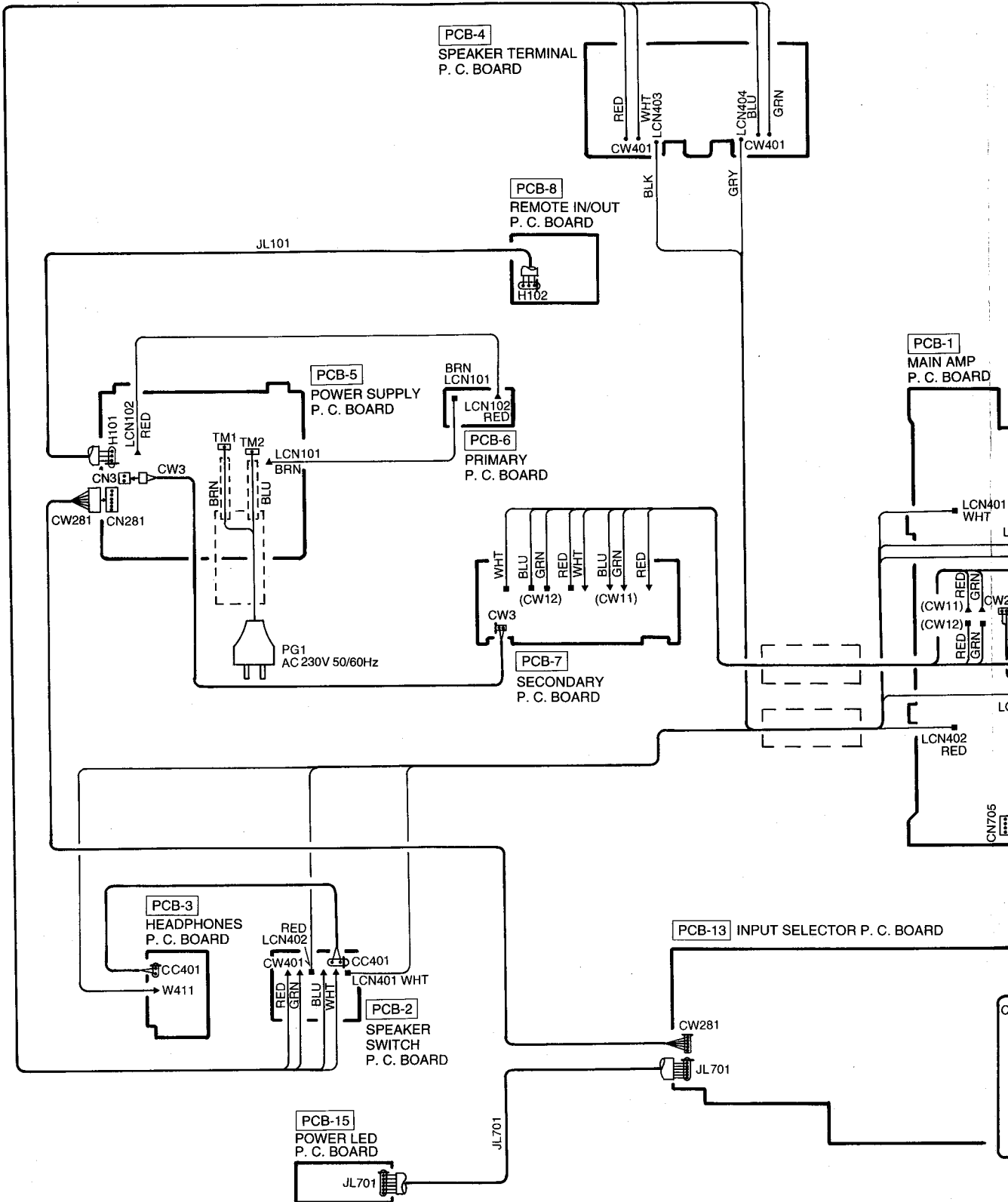
WIRING DIAGRAM



WIRE COLOR ABBREVIATIONS  
 RED : Red      YEL : Yellow  
 ORG : Orange    PUP : Purple  
 BLU : Blue      PIK : Pink  
 WHT : White     BRN : Brown  
 BLK : Black

# WIRING DIAGRAM

1  
2  
3  
4  
5  
6  
7



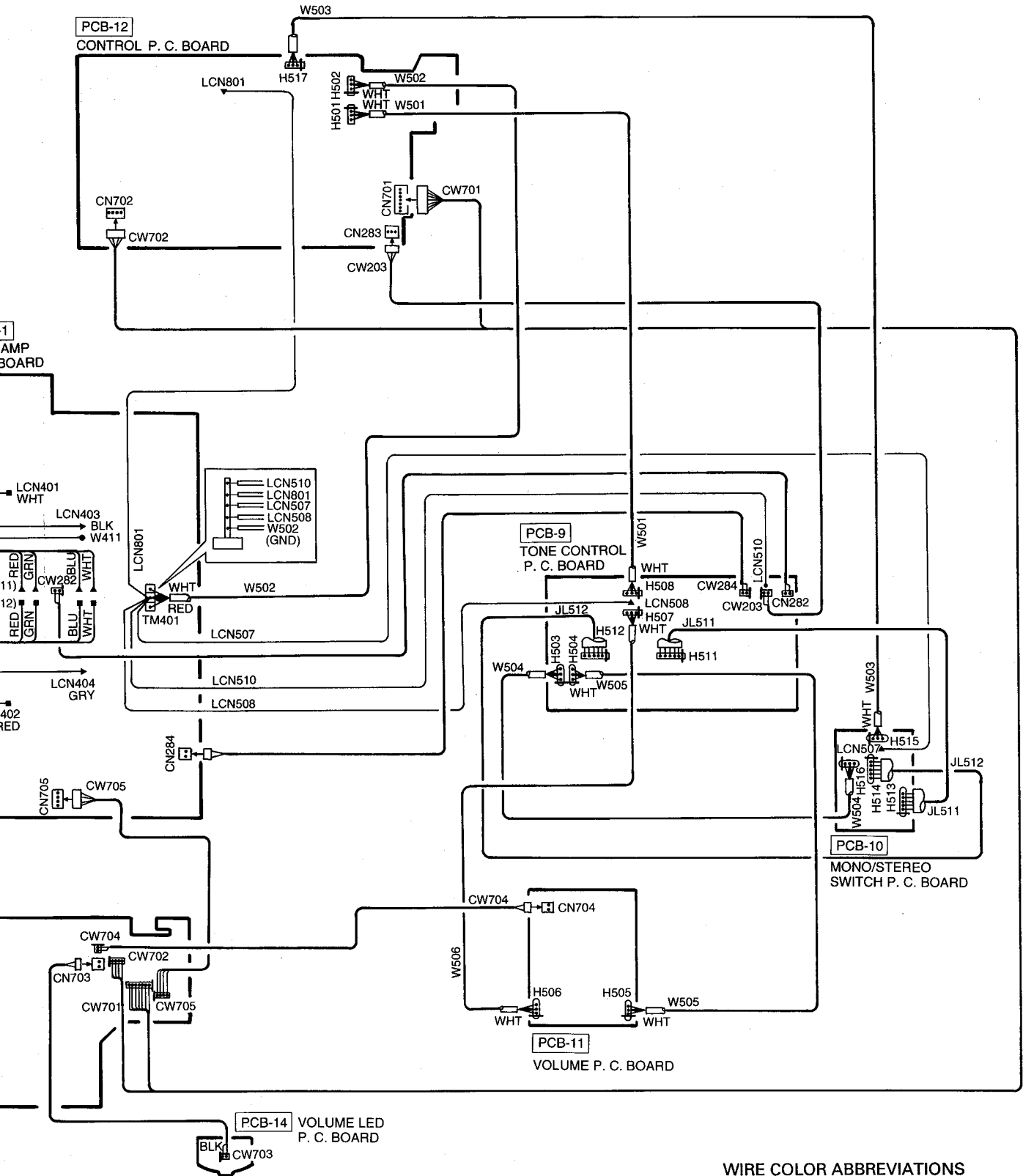
F

G

H

I

J



**WIRE COLOR ABBREVIATIONS**

RED : Red	YEL : Yellow
ORG : Orange	PUP : Purple
BLU : Blue	PIK : Pink
WHT : White	BRN : Brown
BLK : Black	

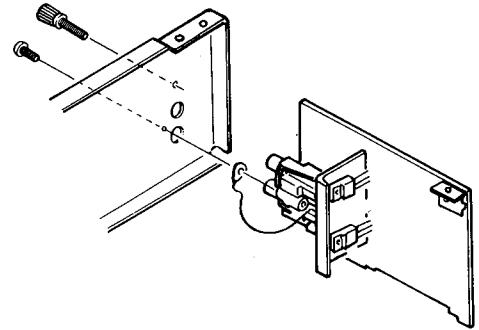
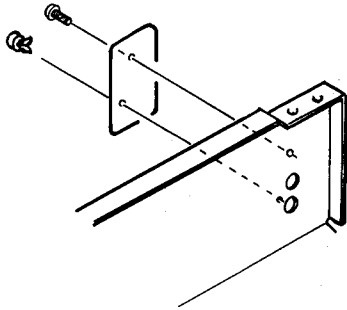
## PH600 PHONO P.C. BOARD OPTION:

When this option is installed, MM or MC turntables can be connected to the RCA jacks on the Phono PCB. To use the Phono input, the function selector switch on the front panel must be set to the AUX2 position. Please note that which the Phono PCB option installed, signal wires shall not be connected to the AUX2 RCA connectors. Signal applied to the AUX2 input with the Phono option installed, will be attenuated and may be distorted.  
 Installation of Optional Phono PCB (PH600):

(Please re-print the information from information sheet you already prepared.)

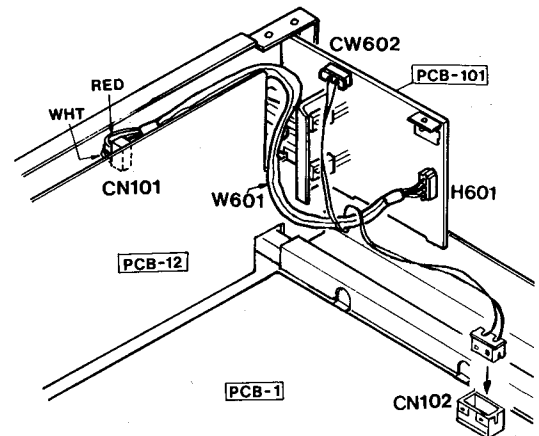
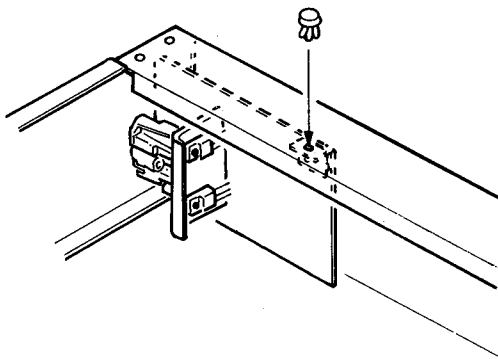
### HOW TO INSTALL

- ① Remove 8 screws and then remove the Top Cover of HK680.
- ② Remove a screw and a rivet and then remove the plate.
- ④ Secure the screw removed from the plate and the ground terminal screw (included).

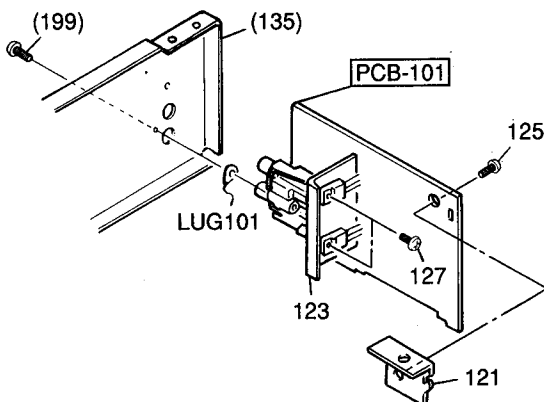


- ③ For HK680, secure PH600 with a rivet removed from the plate.

- ⑤ Connect the 2 cables precisely as shown in the illustration.



### GENERAL UNIT



### GENERAL UNIT PARTS LIST

Ref. No.	Part No.	Description
121	2219-8350	METAL FITTG
123	2222-7179	HEAT SINK,Q607,608
125	2347-R0130062	SCREW,BND T+ (3x6 mm)
127	2347-R0130082	SCREW,BND T+ (3x8 mm) (x2)

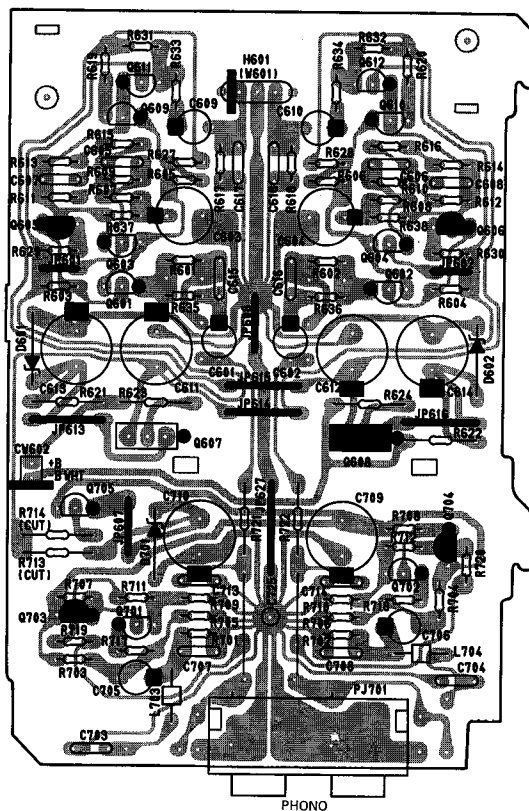
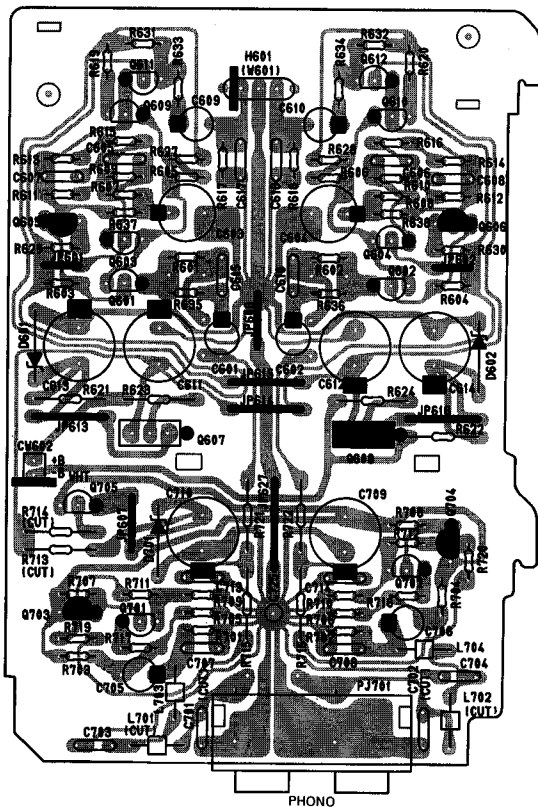
### P. C. BOARDS

The PH600 is set at the factory as a high gain MC EQ amplifier. It can easily be converted to a MM EQ amplifier by making these changes:

1. Remove L701 and L702 (bare wires with ferrite beads),
2. Remove C701 and C702 (0.022 $\mu$ F capacitors, marked 223J),
3. Remove R715 and R716 (1k $\Omega$  resistors), and
4. Add 2 jumper wires (JP) along the dotted lines on the circuit board (near the location of R715 and R716).

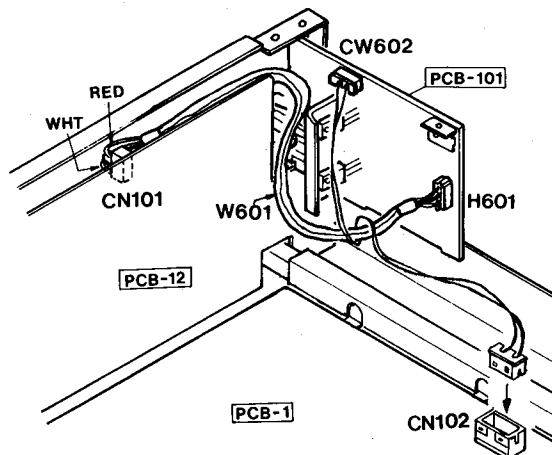
MC VERSION (Factory setting)

MM VERSION



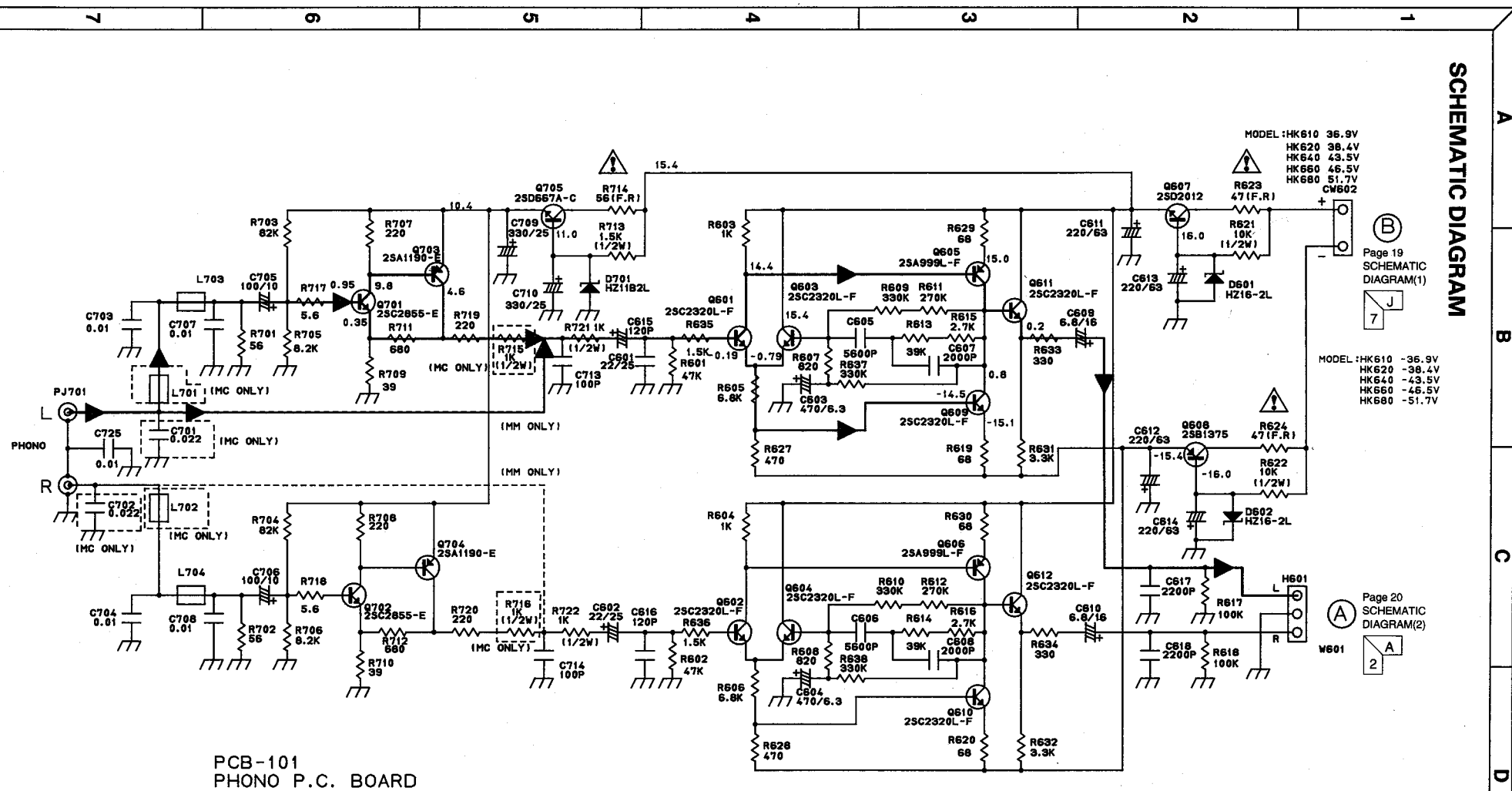
- L701, L702     $\rightarrow$     Delete
  - C701, C702     $\rightarrow$     Delete
  - R715, R716     $\rightarrow$     Delete
- Add 2 jumper wires (JP) along dotted lines

### WIRING DIAGRAM





SCHEMATIC DIAGRAM



PCB-101  
PHONO P.C. BOARD

MODEL:HK610 36.9V  
 HK620 38.4V  
 HK640 43.5V  
 HK660 46.5V  
 HK680 51.7V  
 CW602

Page 19  
 SCHEMATIC  
 DIAGRAM(1)

MODEL:HK610 -36.9V  
 HK620 -38.4V  
 HK640 -43.5V  
 HK660 -46.5V  
 HK680 -51.7V

Page 20  
 SCHEMATIC  
 DIAGRAM(2)

## ELECTRICAL PARTS LIST

Ser. No.	Ref. No.	Part No.	Description	Ser. No.	Ref. No.	Part No.	Description
<b>PCB-101 PHONO P.C. BOARD</b>							
<b>CAPACITORS</b>							
400	C601	5345-S29DM226	CAP,MINI ELE 22 $\mu$ /25V	451	R705	5130-R010J822	RES,CBN 1/6P 8.2K
400	C602	5345-S29DM226	CAP,MINI ELE 22 $\mu$ /25V	451	R706	5130-R010J822	RES,CBN 1/6P 8.2K
401	C603	5345-S29AD477	CAP,MINI ELE 470 $\mu$ /6.3V	458	R707	5130-R010J221	RES,CBN 1/6P 220
401	C604	5345-S29AD477	CAP,MINI ELE 470 $\mu$ /6.3V	458	R708	5130-R010J221	RES,CBN 1/6P 220
402	C605	5359-5625851	CAP,PPP 5600P	452	R709	5178-390381	RES,MTL 1/6P 39
402	C606	5359-5625851	CAP,PPP 5600P	452	R710	5178-390381	RES,MTL 1/6P 39
403	C607	5359-2025851	CAP,PPP 2000P	453	R711	5178-681381	RES,MTL 1/6P 680
403	C608	5359-2025851	CAP,PPP 2000P	453	R712	5178-681381	RES,MTL 1/6P 680
404	C609	5345-685C0951	CAP,MINI ELE 6.8 $\mu$ /16V	454	R713	5130-R030J152	RES,CBN 1/2P 1.5K
404	C610	5345-685C0951	CAP,MINI ELE 6.8 $\mu$ /16V	457	△ R714	5102-5604713	RES,FUSE 56
405	C611	5345-S25GM227	CAP,MINI ELE 220 $\mu$ /63V	459	R715	5130-R030J102	RES,CBN 1/2P 1K
405	C612	5345-S25GM227	CAP,MINI ELE 220 $\mu$ /63V	459	R716	5130-R030J102	RES,CBN 1/2P 1K
405	C613	5345-S25GM227	CAP,MINI ELE 220 $\mu$ /63V	440	R717	5130-R010J5R6	RES,CBN 1/6P 5.6
405	C614	5345-S25GM227	CAP,MINI ELE 220 $\mu$ /63V	440	R718	5130-R010J5R6	RES,CBN 1/6P 5.6
406	C615	5359-1215851	CAP,PPP 120P	458	R719	5130-R010J221	RES,CBN 1/6P 220
406	C616	5359-1215851	CAP,PPP 120P	458	R720	5130-R010J221	RES,CBN 1/6P 220
430	C617	5359-2225851	CAP,PPP 2200P	459	R721	5130-R030J102	RES,CBN 1/2P 1K
430	C618	5359-2225851	CAP,PPP 2200P	459	R722	5130-R030J102	RES,CBN 1/2P 1K
441	C701	5359-S010J223	CAP,PPP .022 $\mu$	<b>TRANSISTORS</b>			
441	C702	5359-S010J223	CAP,PPP .022 $\mu$	409	Q601	5613-2320L(F)	XISTOR,NPN R
442	C703	5359-S010J103	CAP,PPP .01 $\mu$	409	Q602	5613-2320L(F)	XISTOR,NPN R
442	C704	5359-S010J103	CAP,PPP .01 $\mu$	409	Q603	5613-2320L(F)	XISTOR,NPN R
443	C705	5345-S29BM107	CAP,MINI ELE 100 $\mu$ /10V	409	Q604	5613-2320L(F)	XISTOR,NPN R
443	C706	5345-S29BM107	CAP,MINI ELE 100 $\mu$ /10V	410	Q605	5611-999L(F)	XISTOR,PNP R
442	C707	5359-S010J103	CAP,PPP .01 $\mu$	410	Q606	5611-999L(F)	XISTOR,PNP R
442	C708	5359-S010J103	CAP,PPP .01 $\mu$	411	Q607	5614-2012	XISTOR,NPN A
444	C709	5345-S25DM337	CAP,MINI ELE 330 $\mu$ /25V	412	Q608	5612-1375	XISTOR,PNP A
444	C710	5345-S25DM337	CAP,MINI ELE 330 $\mu$ /25V	426	Q609	5613-2320L(F)	XISTOR,NPN R
438	C713	5359-S010K101	CAP,PPP 100P	426	Q610	5613-2320L(F)	XISTOR,NPN R
438	C714	5359-S010K101	CAP,PPP 100P	426	Q611	5613-2320L(F)	XISTOR,NPN R
439	C725	5359-S010J103	CAP,PPP .01 $\mu$	426	Q612	5613-2320L(F)	XISTOR,NPN R
<b>RESISTORS</b>							
413	R601	5130-R010J473	RES,CBN 1/6P 47K	447	Q701	5613-2855(E)	XISTOR,NPN R
413	R602	5130-R010J473	RES,CBN 1/6P 47K	447	Q702	5613-2855(E)	XISTOR,NPN R
414	R603	5130-R010J102	RES,CBN 1/6P 1K	448	Q703	5611-1190(E)	XISTOR,PNP R
414	R604	5130-R010J102	RES,CBN 1/6P 1K	448	Q704	5611-1190(E)	XISTOR,PNP R
415	R605	5130-R010J682	RES,CBN 1/6P 6.8K	449	Q705	5614-667A(C)	XISTOR,NPN A
415	R606	5130-R010J682	RES,CBN 1/6P 6.8K	<b>DIODES</b>			
416	R607	5178-821381	RES,MTL 1/6P 820	408	D601	5635-HZ16-2L	DIODE,ZENER
416	R608	5178-821381	RES,MTL 1/6P 820	408	D602	5635-HZ16-2L	DIODE,ZENER
417	R609	5178-334381	RES,MTL 1/6P 330K	445	D701	5635-HZ11B2L	DIODE,ZENER
417	R610	5178-334381	RES,MTL 1/6P 330K	<b>MISCELLANEOUS</b>			
418	R611	5178-274381	RES,MTL 1/6P 270K	407	CW602	4163-S0202201	CONNECTOR W/W,2 PIN
418	R612	5178-274381	RES,MTL 1/6P 270K	446	PJ701	4489-04006002	PIN JACK,MLT,PHONO
419	R613	5178-393381	RES,MTL 1/6P 39K	455	L701	5597-3	CORE,BEADS
419	R614	5178-393381	RES,MTL 1/6P 39K	455	L702	5597-3	CORE,BEADS
420	R615	5178-272381	RES,MTL 1/6P 2.7K	455	L703	5597-3	CORE,BEADS
420	R616	5178-272381	RES,MTL 1/6P 2.7K	455	L704	5597-3	CORE,BEADS
421	R617	5130-R010J104	RES,CBN 1/6P 100K	437	LUG101	4211-4	LUG,C725
421	R618	5130-R010J104	RES,CBN 1/6P 100K	431	W601	4142-00151241	SHLD WIRE,2C
428	R619	5130-R010J680	RES,CBN 1/6P 68	432		2240-Z031	HOLDER,H601(W601)
428	R620	5130-R010J680	RES,CBN 1/6P 68	<b>CHASSIS MISCELLANEOUS</b>			
422	R621	5130-R030J103	RES,CBN 1/2P 10K	460		4214-168	TERMINAL,GND
422	R622	5130-R030J103	RES,CBN 1/2P 10K	<b>PACKING UNIT PARTS LIST</b>			
423	△ R623	5102-4705116	RES,FUSE 47	107		1111-1780J152	OWNER GUIDE
423	△ R624	5102-4705116	RES,FUSE 47	109		1231-00401	GIFT BOX
429	R627	5130-R010J471	RES,CBN 1/6P 470	113		1241-00501	POLYETHY BAG,SET
429	R628	5130-R010J471	RES,CBN 1/6P 470	115		1756-00307	LABEL,OPTIONAL PHONO BOARD
428	R629	5130-R010J680	RES,CBN 1/6P 68				
428	R630	5130-R010J680	RES,CBN 1/6P 68				
427	R631	5130-R010J332	RES,CBN 1/6P 3.3K				
427	R632	5130-R010J332	RES,CBN 1/6P 3.3K				
424	R633	5130-R010J331	RES,CBN 1/6P 330				
424	R634	5130-R010J331	RES,CBN 1/6P 330				
433	R635	5130-R010J152	RES,CBN 1/6P 1.5K				
433	R636	5130-R010J152	RES,CBN 1/6P 1.5K				
417	R637	5178-334381	RES,MTL 1/6P 330K				
417	R638	5178-334381	RES,MTL 1/6P 330K				
450	R701	5130-R010J560	RES,CBN 1/6P 56				
450	R702	5130-R010J560	RES,CBN 1/6P 56				
456	R703	5130-R010J823	RES,CBN 1/6P 82K				
456	R704	5130-R010J823	RES,CBN 1/6P 82K				